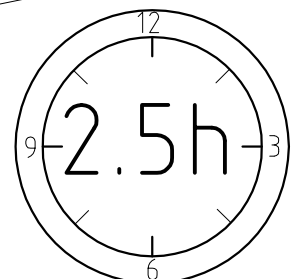
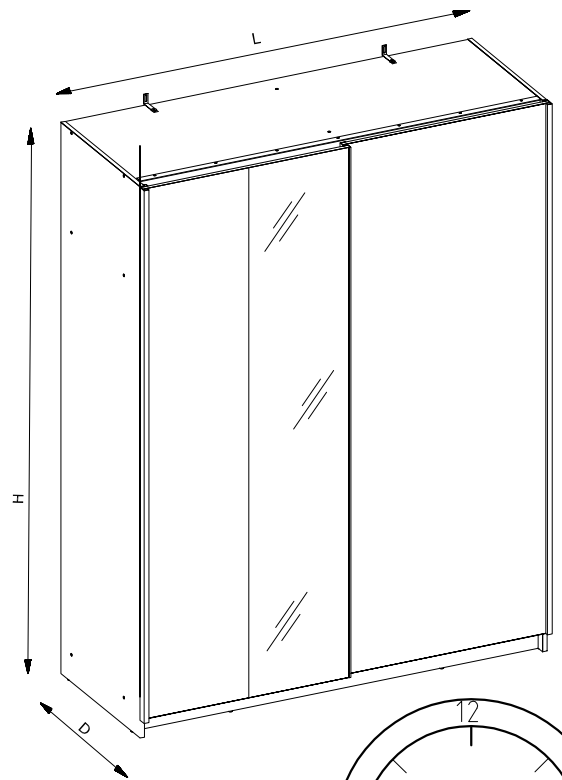


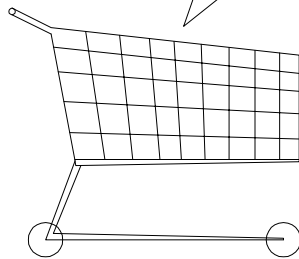
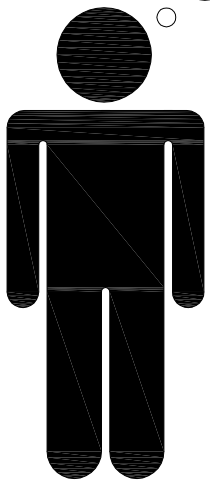
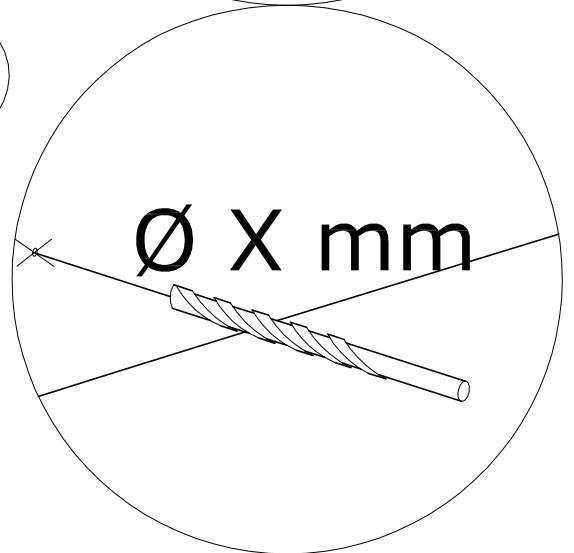
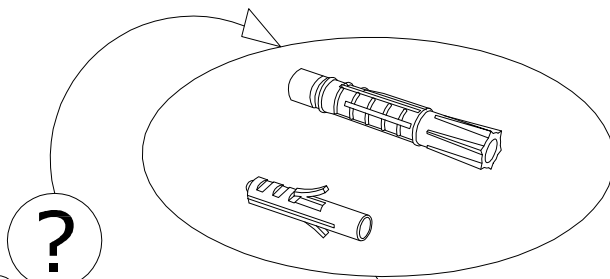
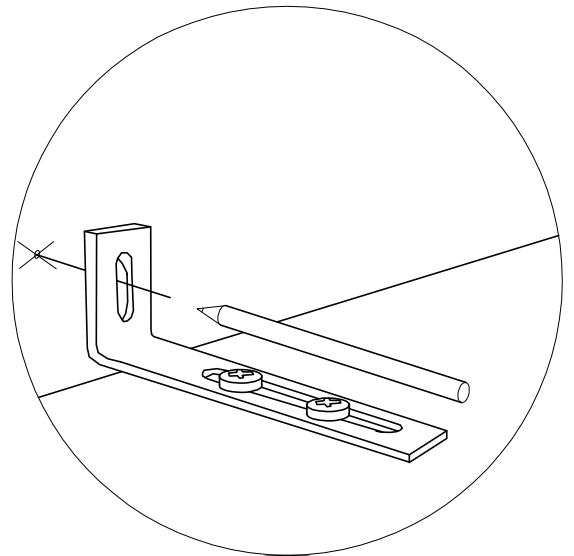
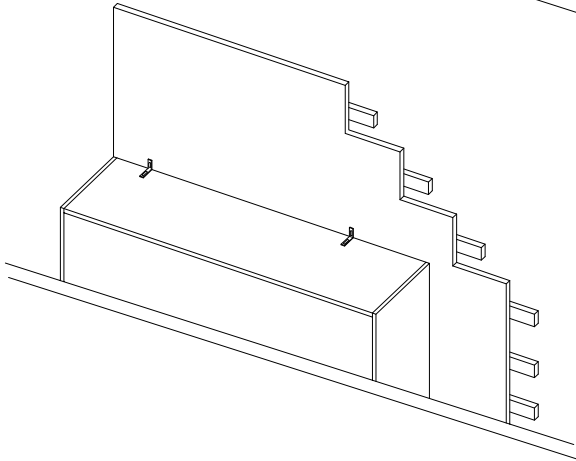
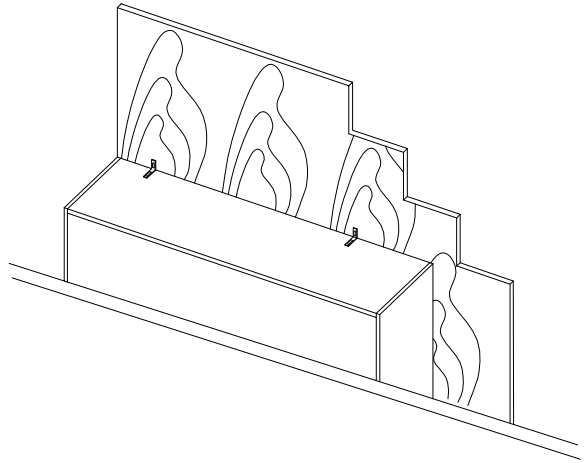
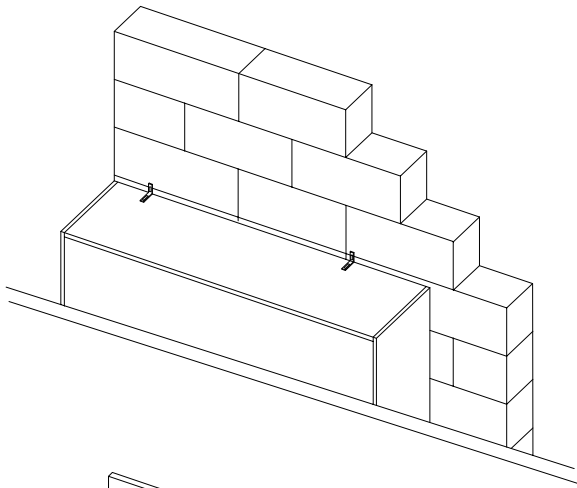
	<b>L</b>	<b>H</b>	<b>D</b>
<b>II 10</b>	<b>1500mm</b>	<b>1980mm</b>	<b>620mm</b>
<b>II 11</b>	<b>1800mm</b>	<b>1980mm</b>	<b>620mm</b>
<b>II 12</b>	<b>2000mm</b>	<b>1980mm</b>	<b>620mm</b>

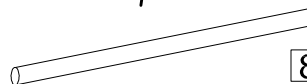
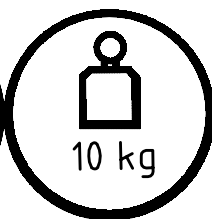
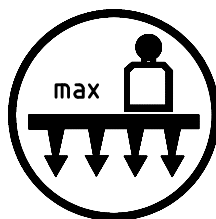
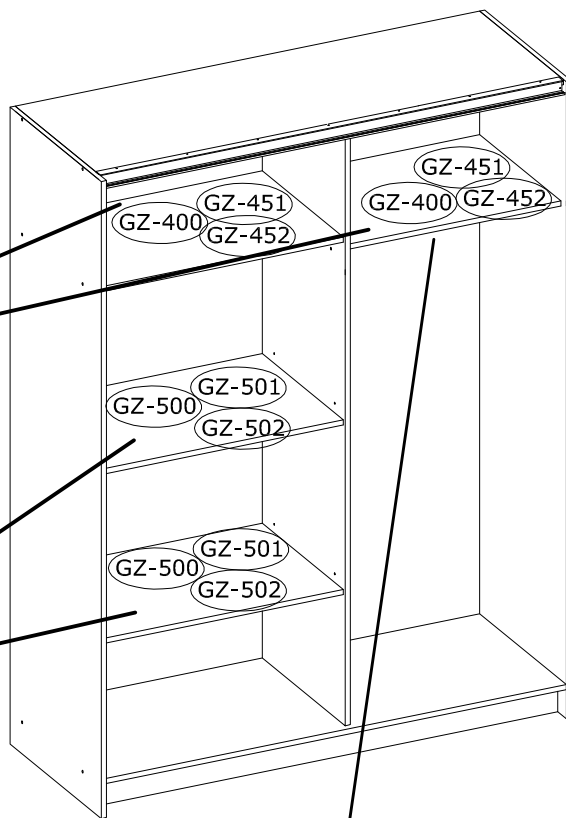
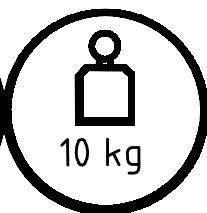
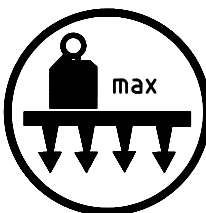
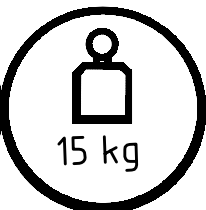
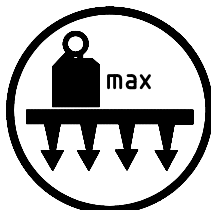
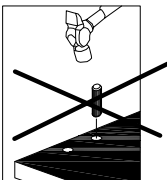
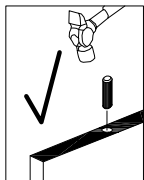
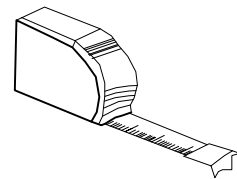
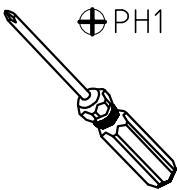
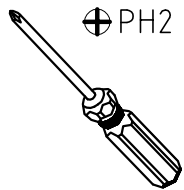
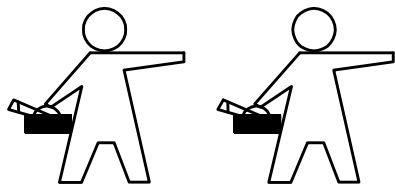
	<b>L</b>	<b>H</b>	<b>D</b>
<b>III 10</b>	<b>1500mm</b>	<b>1980mm</b>	<b>620mm</b>
<b>III 11</b>	<b>1800mm</b>	<b>1980mm</b>	<b>620mm</b>
<b>III 12</b>	<b>2000mm</b>	<b>1980mm</b>	<b>620mm</b>



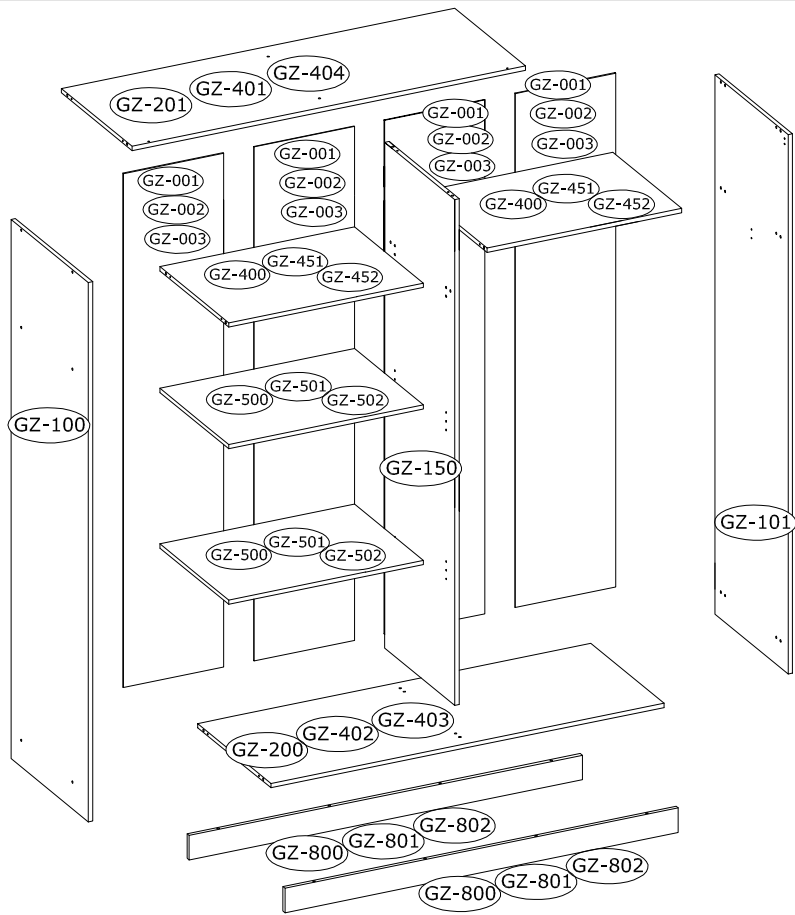






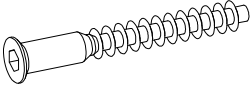
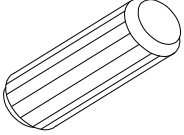
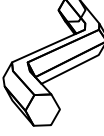
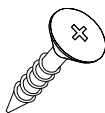

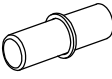
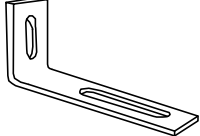
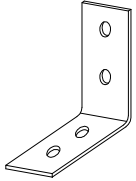
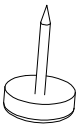

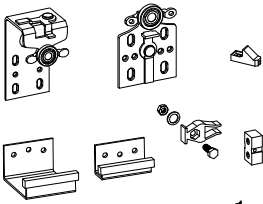

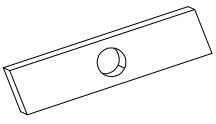
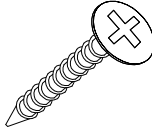
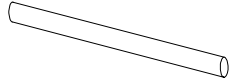

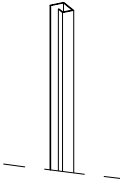
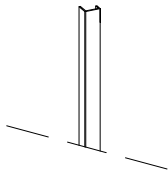
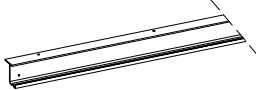
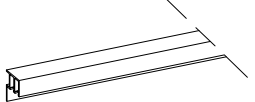



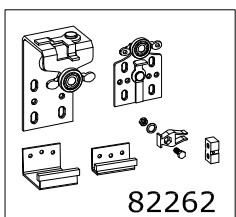
82251  
3668  
44082

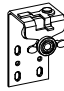


<b>II 10</b>	GZ-200 GZ-201 GZ-100 GZ-101 GZ-150 GZ-400 GZ-500 GZ-800 GZ-001 GZ-600
<b>II 11</b>	GZ-401 GZ-402 GZ-100 GZ-101 GZ-150 GZ-451 GZ-501 GZ-801 GZ-002 GZ-602
<b>II 12</b>	GZ-404 GZ-403 GZ-100 GZ-101 GZ-150 GZ-452 GZ-502 GZ-802 GZ-003 GZ-604

<b>III 10</b>	GZ-200 GZ-201 GZ-100 GZ-101 GZ-150 GZ-400 GZ-500 GZ-800 GZ-001 GZ-600 GZ-601
<b>III 11</b>	GZ-401 GZ-402 GZ-100 GZ-101 GZ-150 GZ-451 GZ-501 GZ-801 GZ-002 GZ-602 GZ-603
<b>III 12</b>	GZ-404 GZ-403 GZ-100 GZ-101 GZ-150 GZ-452 GZ-502 GZ-802 GZ-003 GZ-604 GZ-605

<p>3884</p>  <p>x20</p>	<p>3989</p>  <p>Ø8x30mm x28</p>	<p>3984</p>  <p>4mm x1</p>	<p>3918</p>  <p>Ø3,5x16mm x63</p>
<p>3975</p>  <p>1.2x20mm x80</p>	<p>4017</p>  <p>Ø5x16 mm x8</p>	<p>71900</p>  <p>75x15x32 mm x2</p>	<p>3981</p>  <p>x4</p>
<p>70313</p>  <p>x8</p>	<p>4069</p>  <p>x2</p>	<p>82262</p>  <p>x1</p>	<p>3912</p>  <p>Ø3,0x13mm x36</p>
<p>77793</p>  <p>x10</p>	<p>3920</p>  <p>Ø3,5x25mm x4</p>	<p>82251 -L-720mm 3668 -L-871mm 44082 -L-967mm</p>  <p>x1</p>	<p>IN00378</p>  <p>L- 1857mm x2</p>
<p>82197</p>  <p>L-1904mm x2</p>	<p>82831</p>  <p>L-1904mm x2</p>	<p>82259 -L-1468mm 84287 -L-1772mm 83709 -L-1968mm</p>  <p>x1</p>	<p>82258 -L-1468mm 84285 -L-1772mm 83711 -L-1968mm</p>  <p>x1</p>
<p>142727</p>  <p>x20</p>			











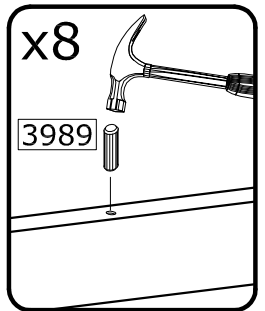
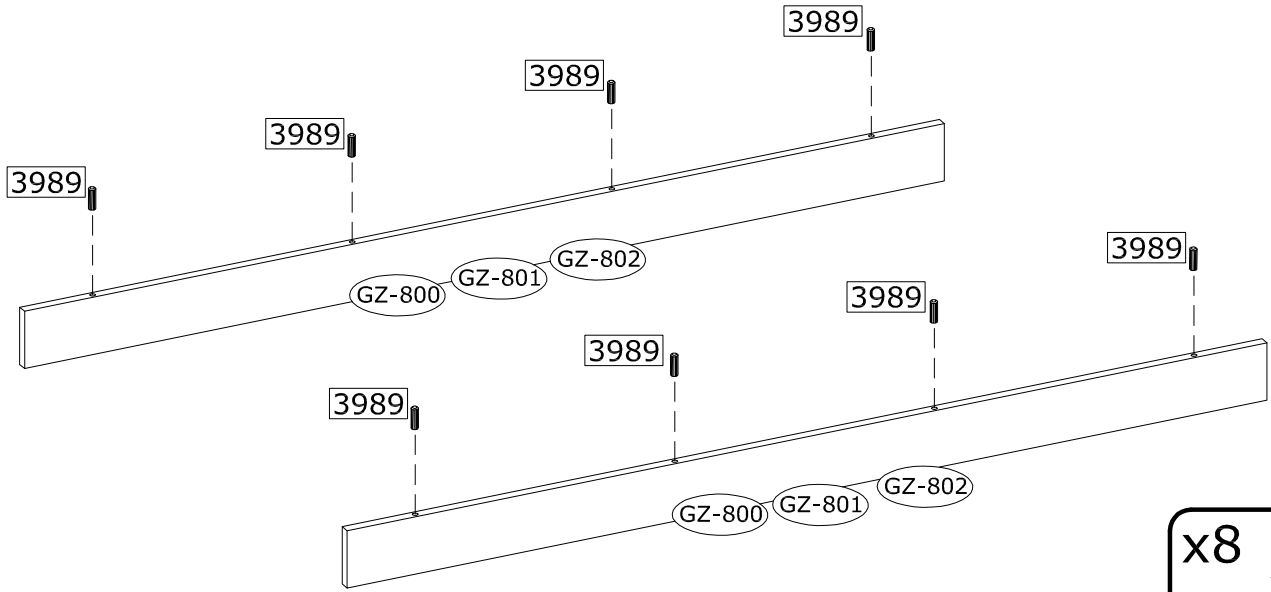
82262-1 82262-2 82262-3 82262-4 82262-5 82262-6 82262-7

# 1.

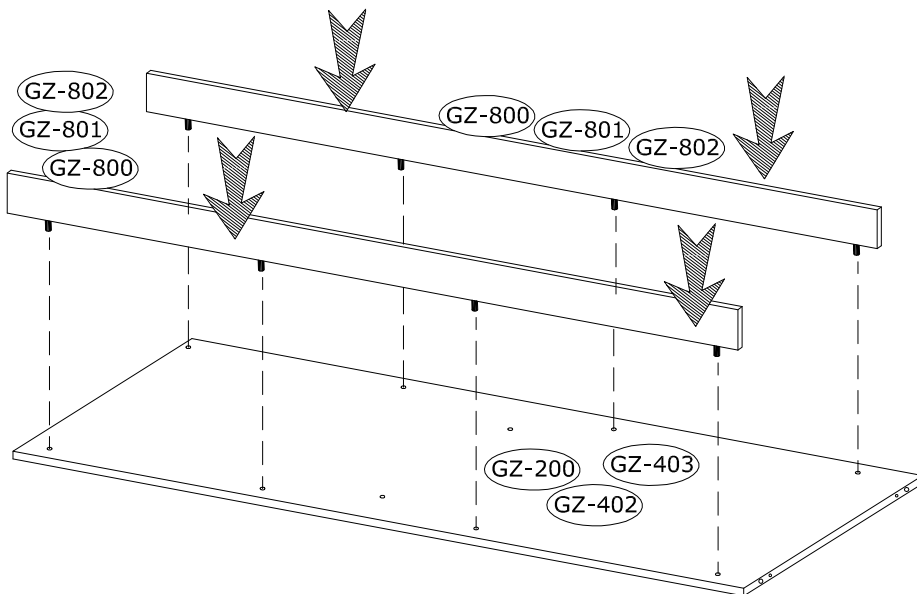
3989



x8


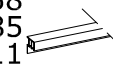


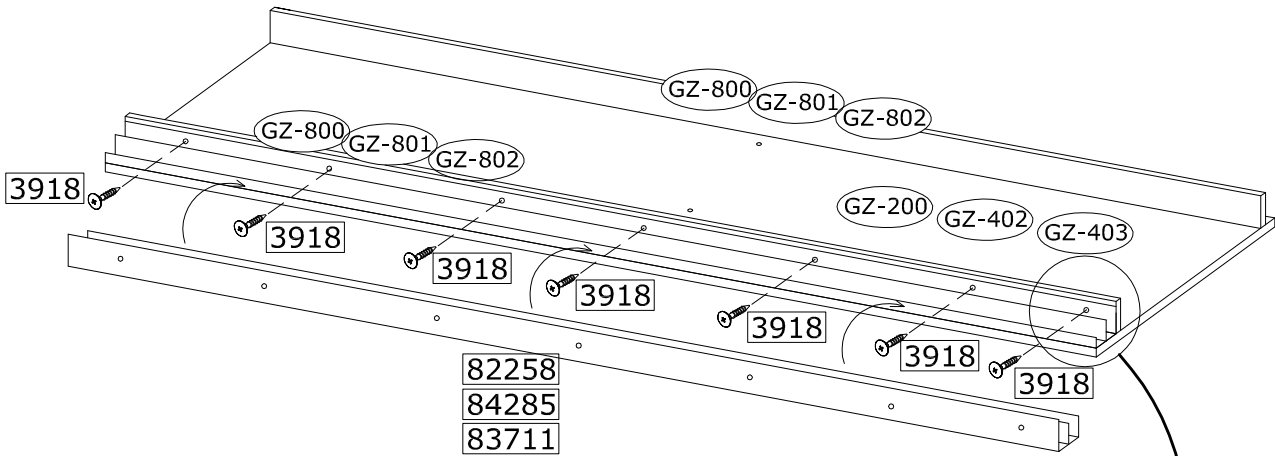
# 2.



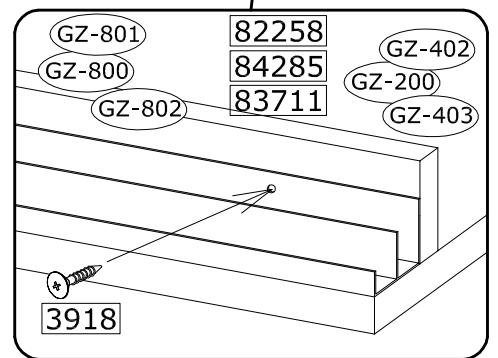


# 3.




3918  x7	82258 84285 83711  x1
--	---

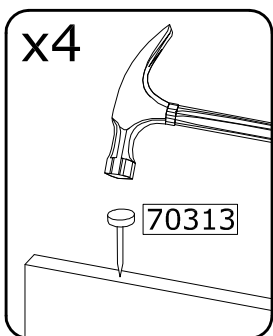
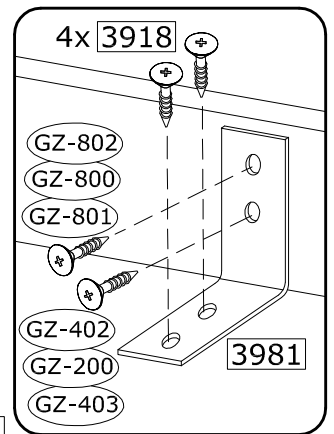
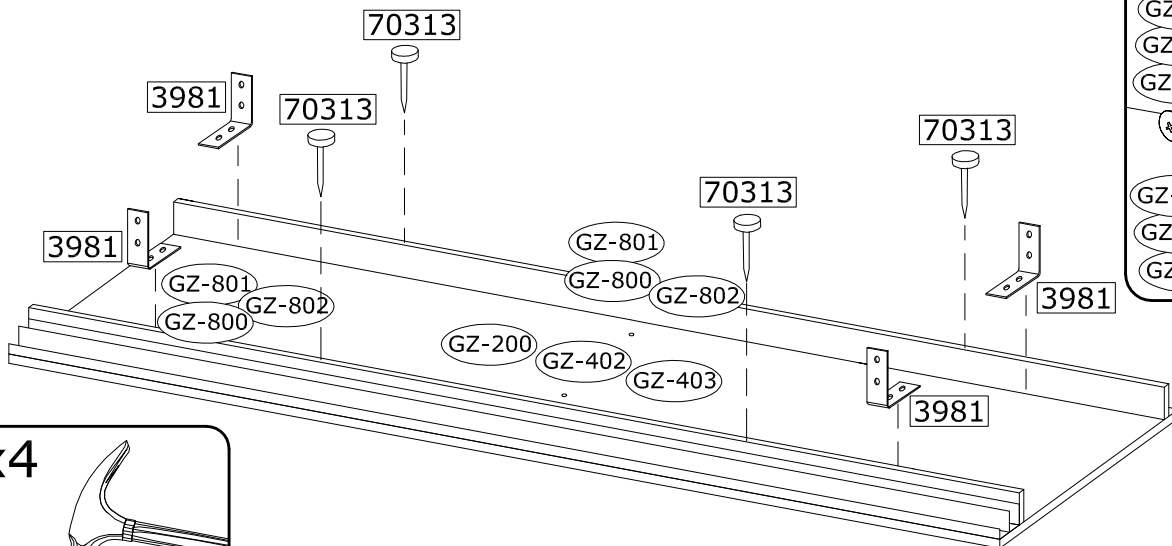
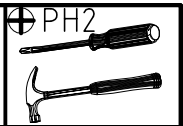


82258	L-1468 mm (GOZO II/III - 1500)
84285	L-1772 mm (GOZO II/III - 1800)
83711	L-1968 mm (GOZO II/III - 2000)



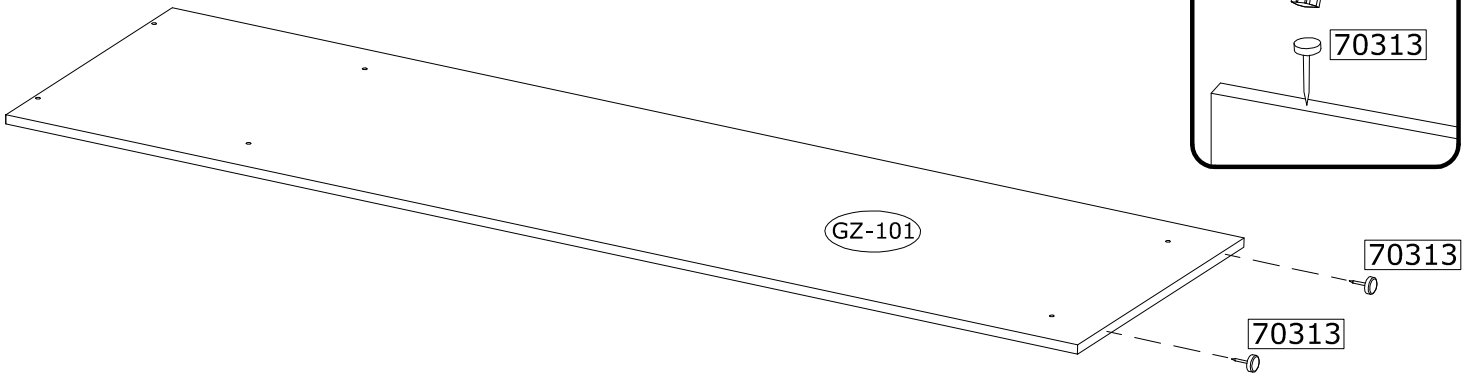
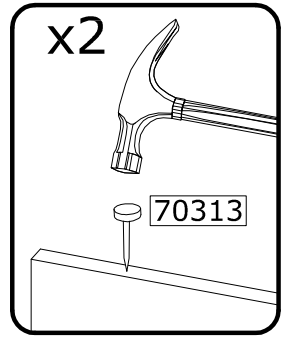
# 4.

70313  x4	3981  x4	3918  x16
--	---	--



5.

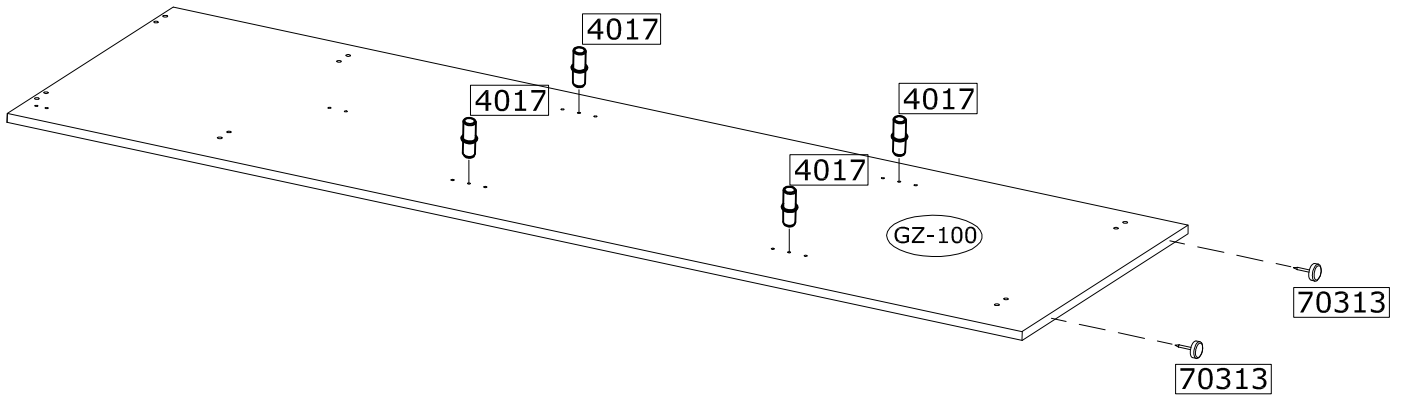
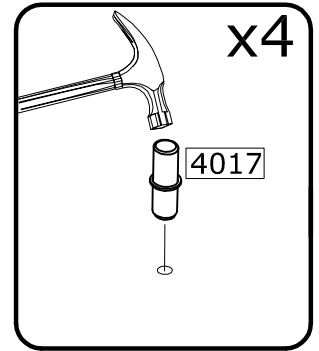
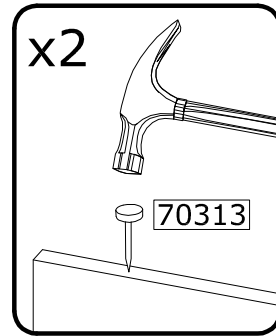
70313  
x2



6.

70313  
x2

4017  
x4



# 7.

3989

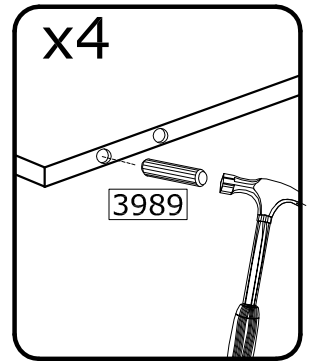
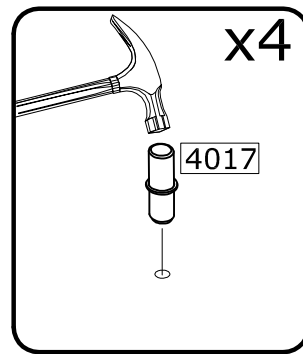
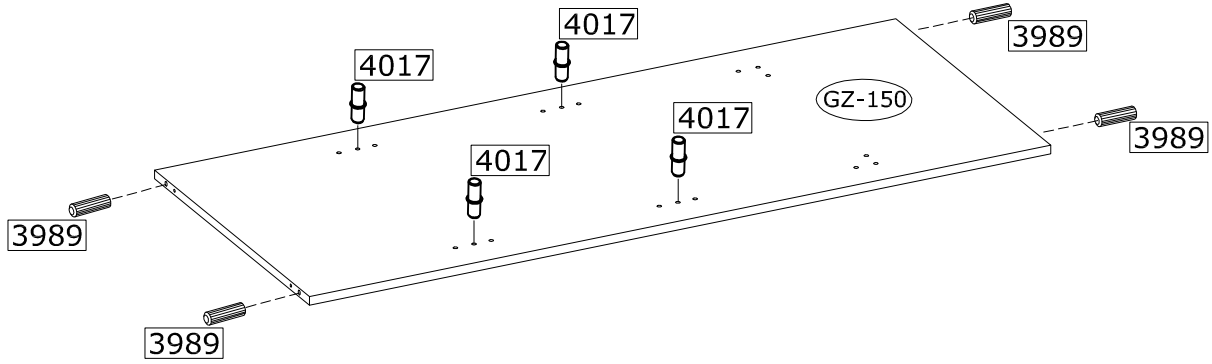


x4

4017



x4

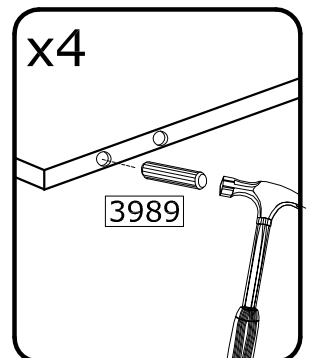
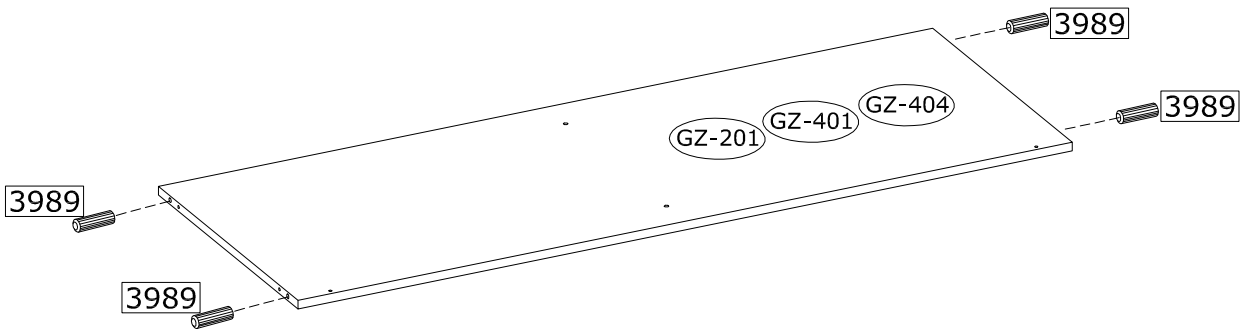


# 8.

3989



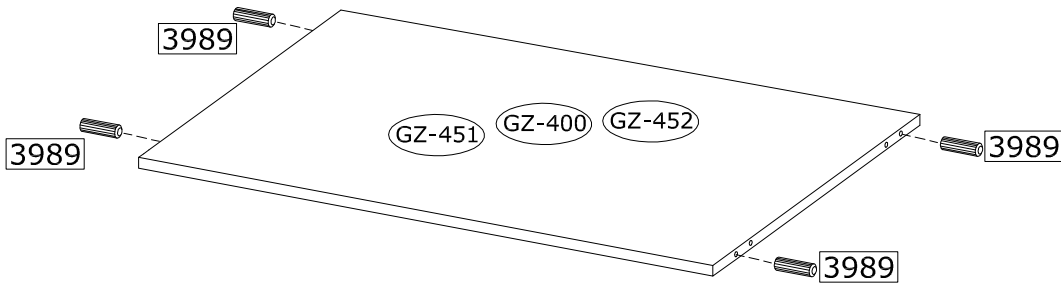
x4



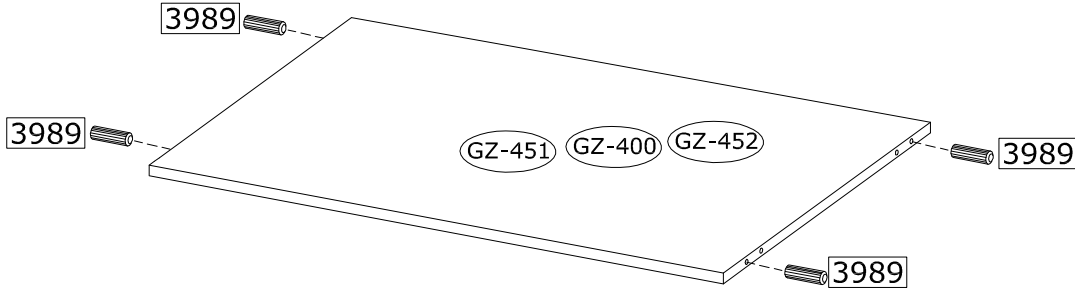
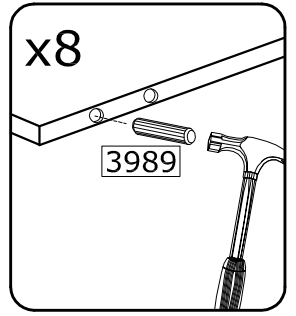
# 9.

3989

x8



x8



# 10.

3918



x7

82259  
84287  
83709



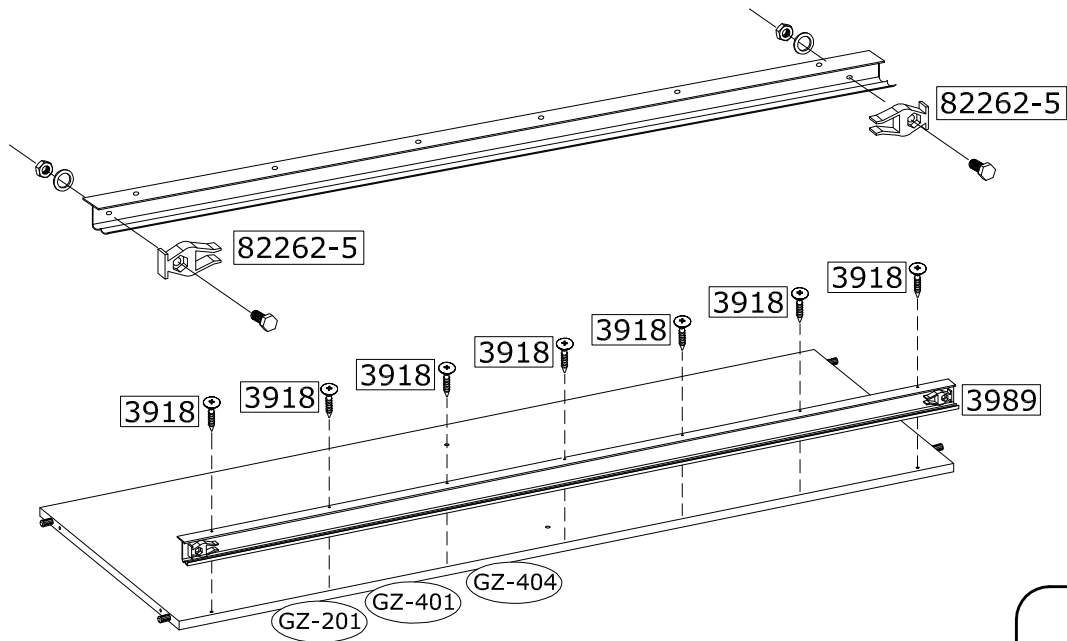
x1

82262-5

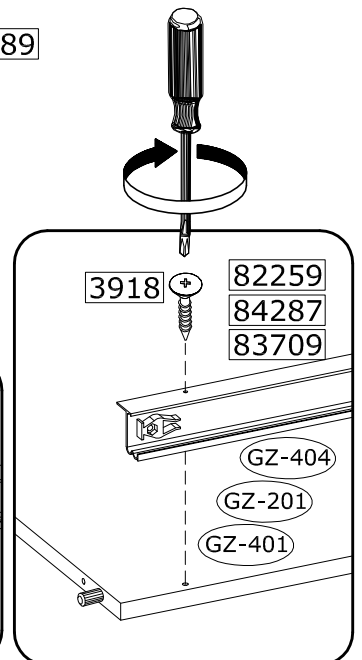
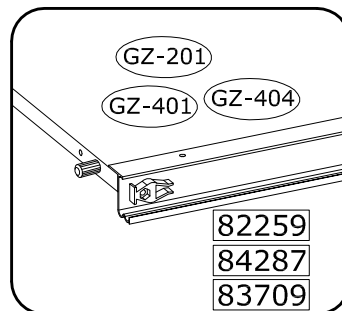


x2

⊕ PH2

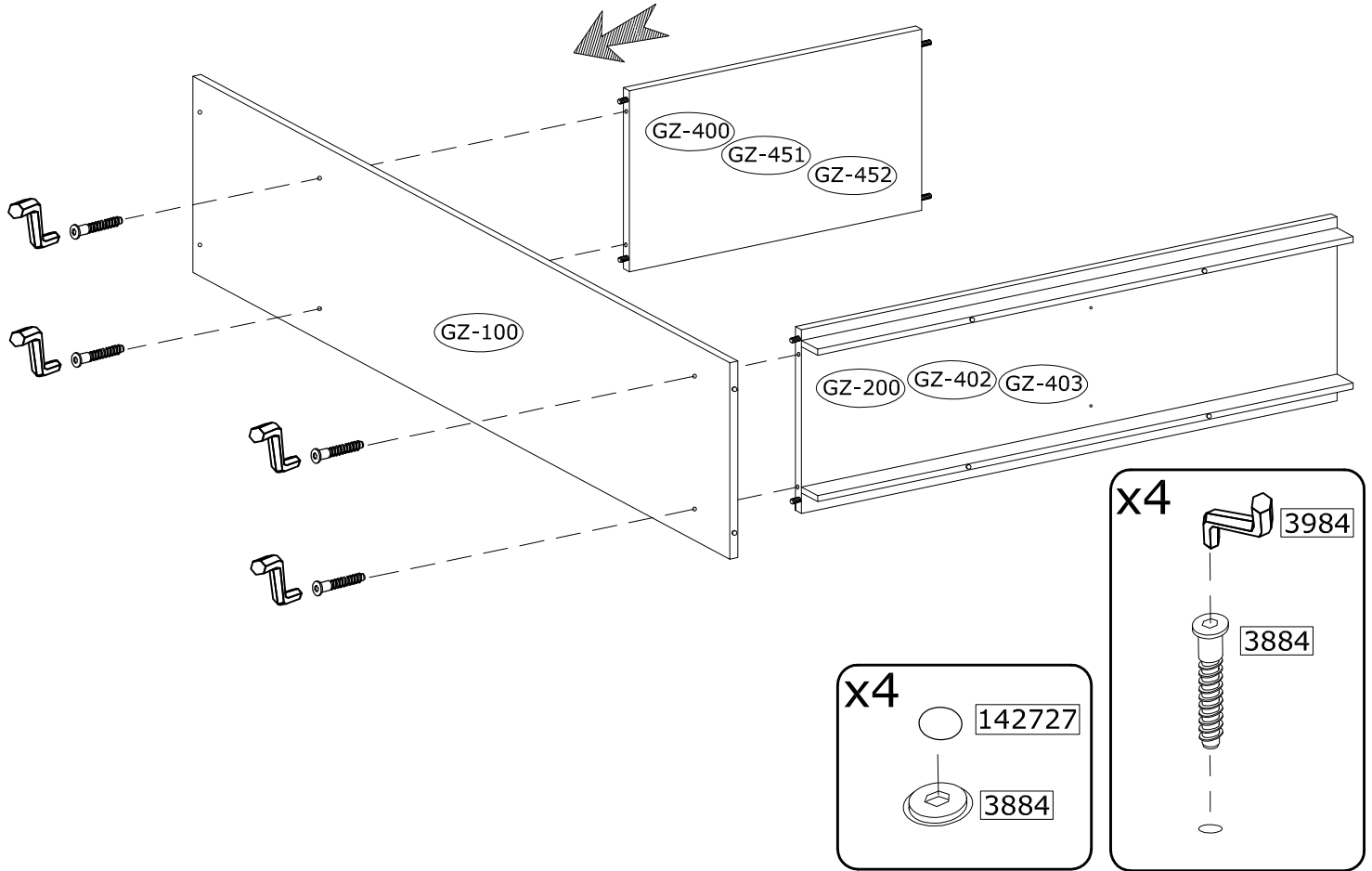


- 82259 L-1468 mm (GOZO II/III - 1500)
- 84287 L-1772 mm (GOZO II/III - 1800)
- 83709 L-1968 mm (GOZO II/III - 2000)



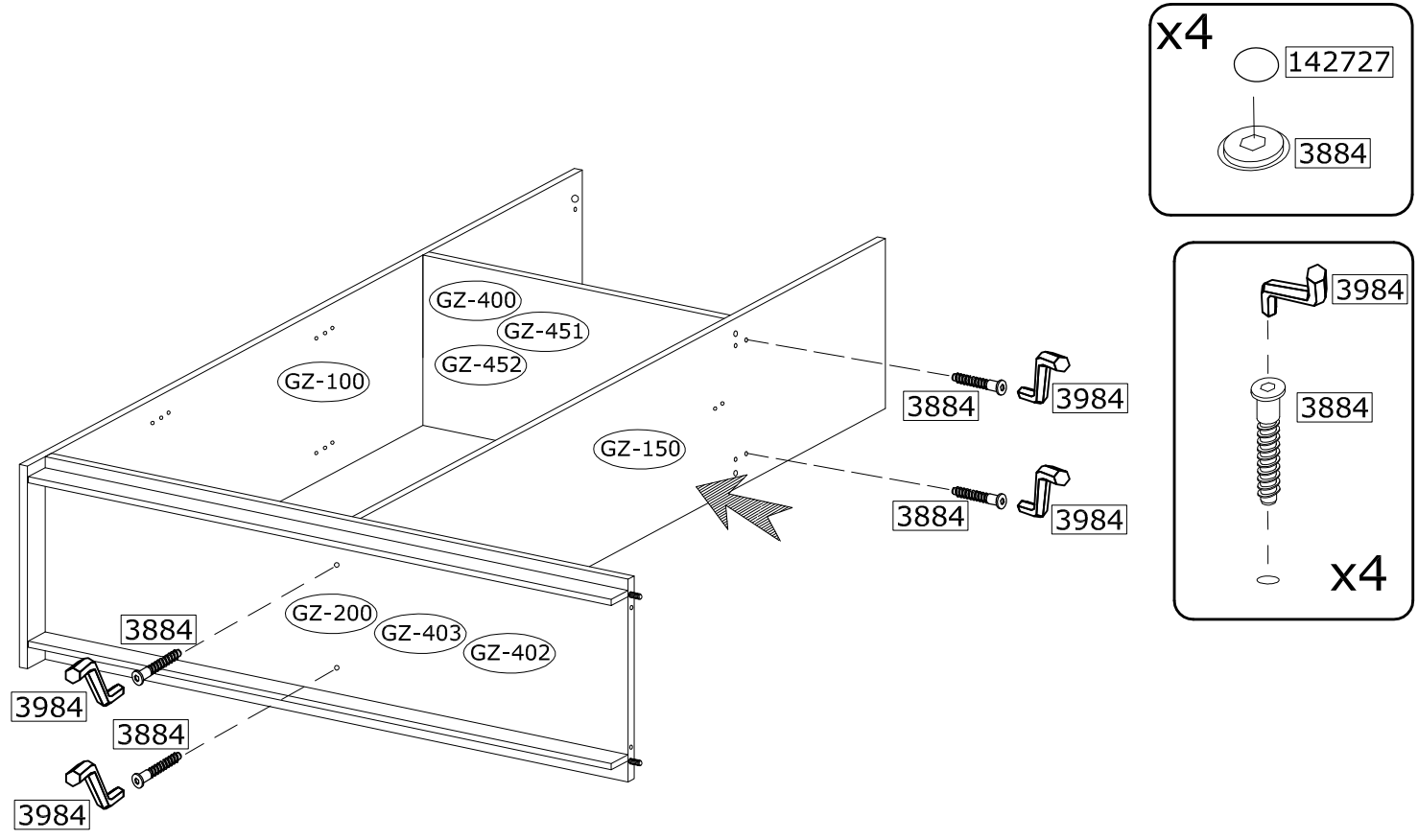
# 11.

3884  x4	3984  x1	142727  x4		
--	--	--	--	--



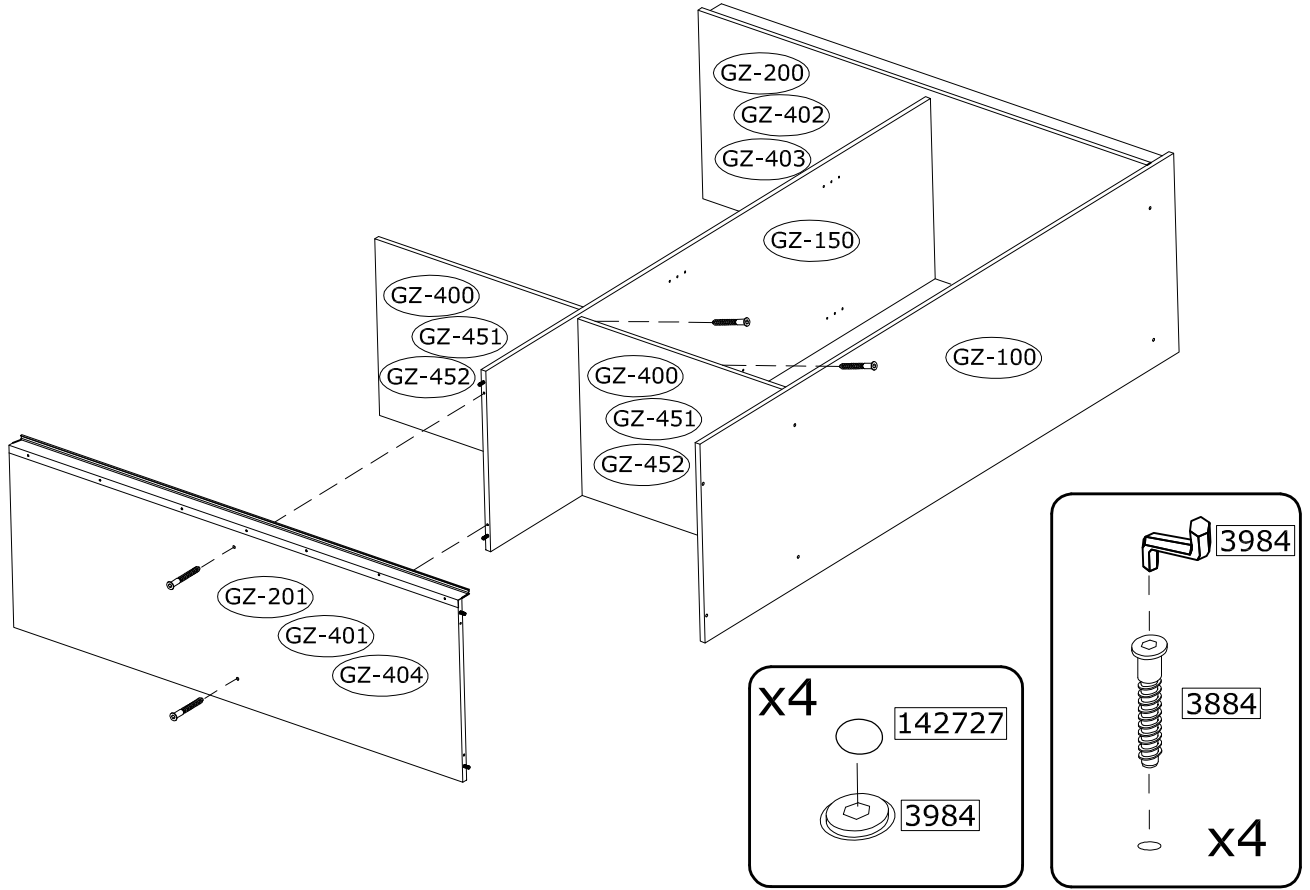
# 12.

3884  x4	3984  x1	142727  x4		
---	---	---	--	--



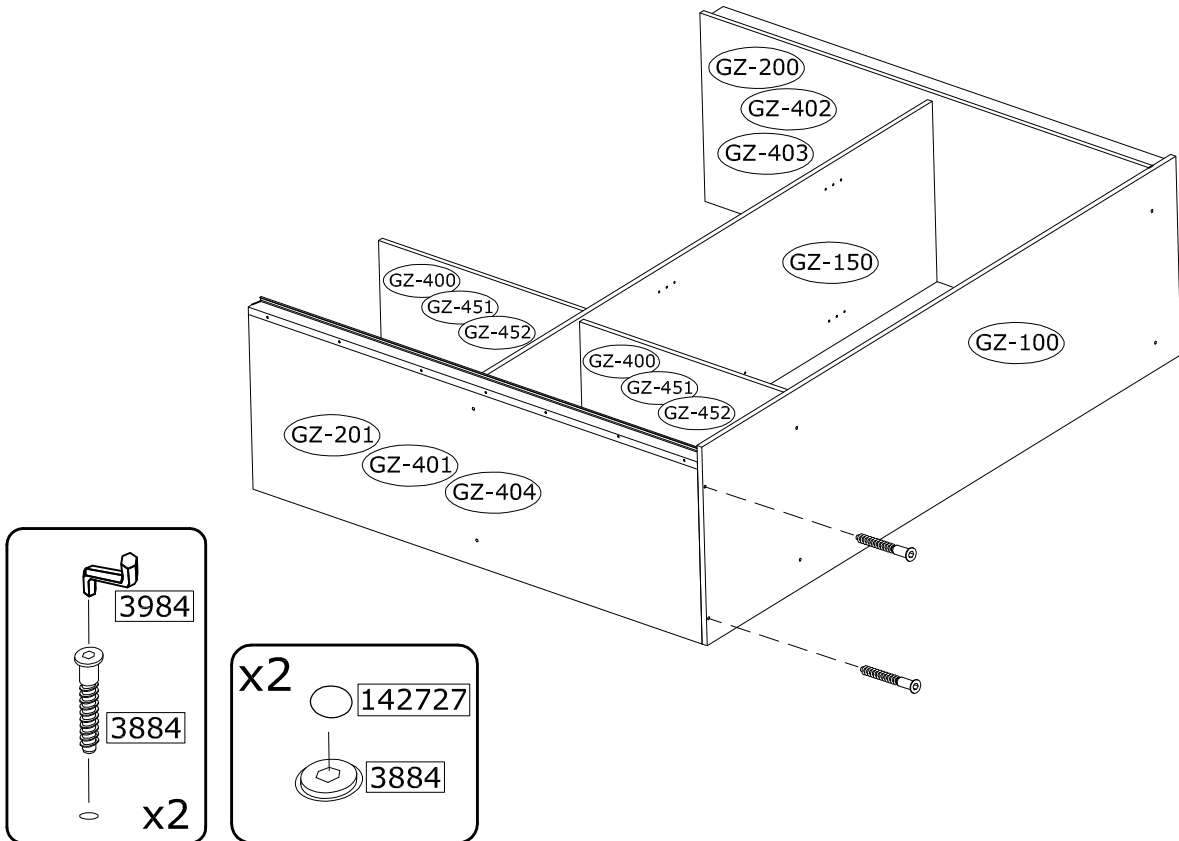
# 13.

<p>3884 x4</p> 	<p>3984 x1</p> 	<p>142727 x4</p> 		
---	---	---	--	--



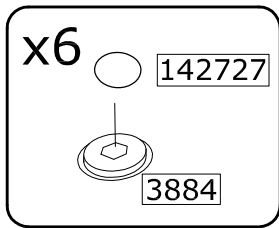
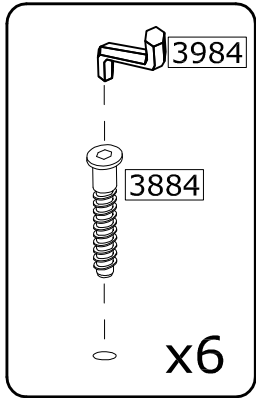
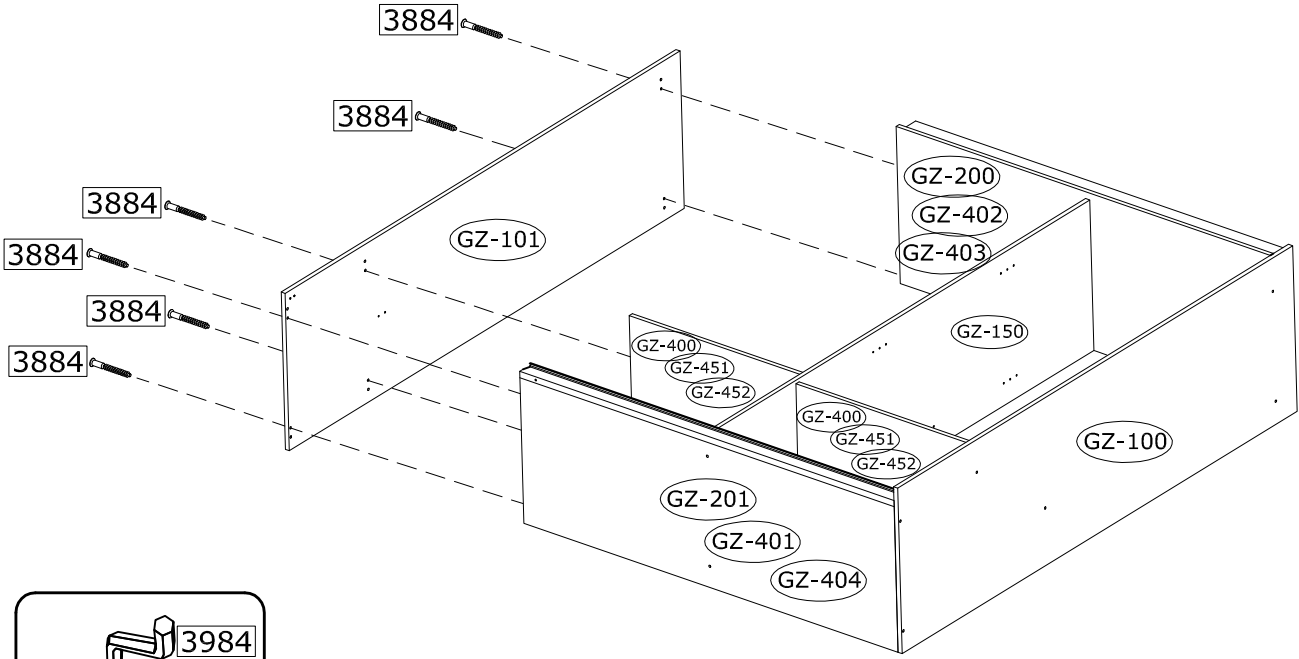
# 14.

<p>3884 x2</p> 	<p>3984 x1</p> 	<p>142727 x2</p> 		
--	--	--	--	--



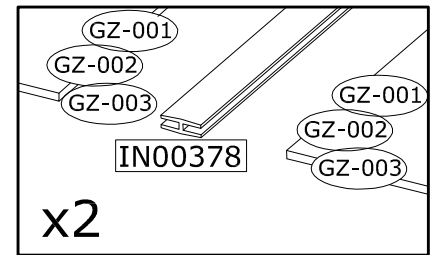
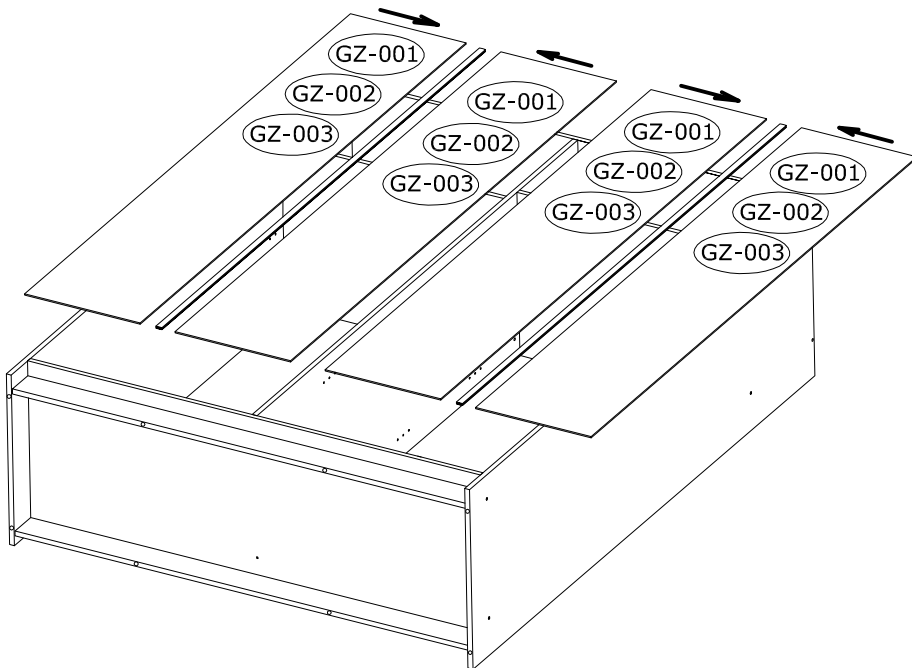
# 15.

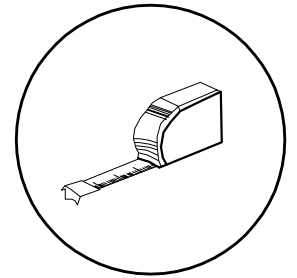
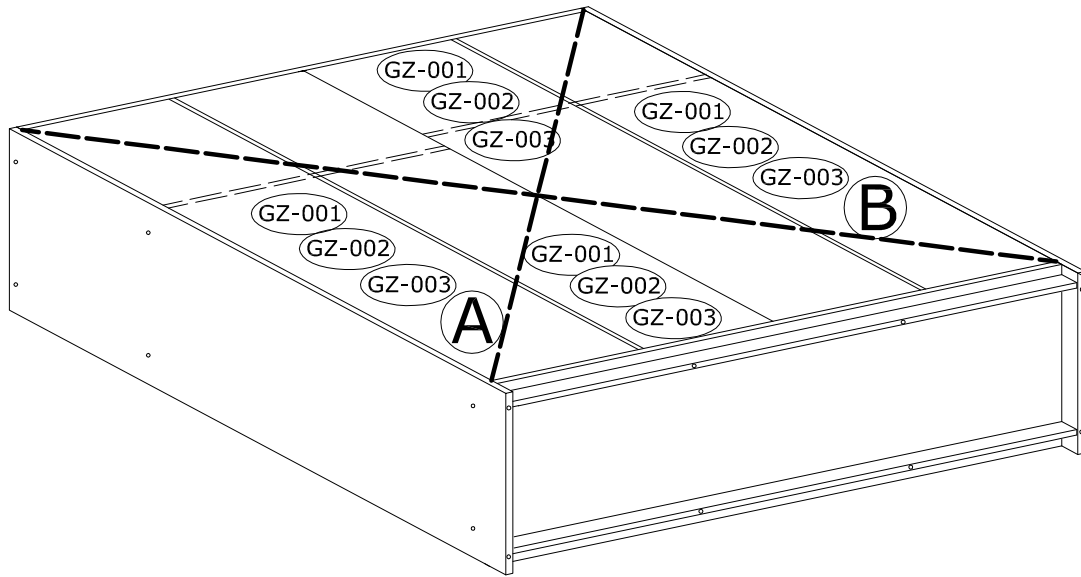
3884  x6	3984  x1	142727  x6		
--	--	--	--	--



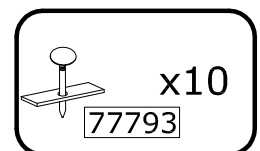
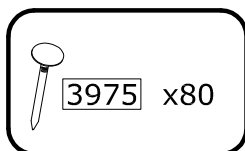
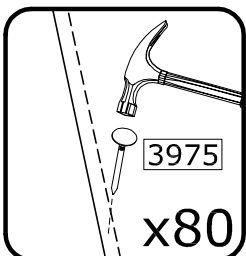
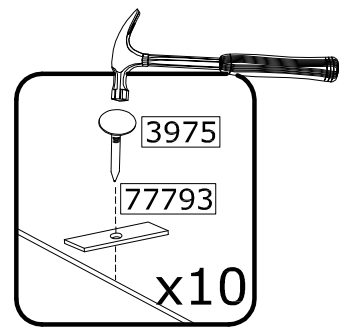
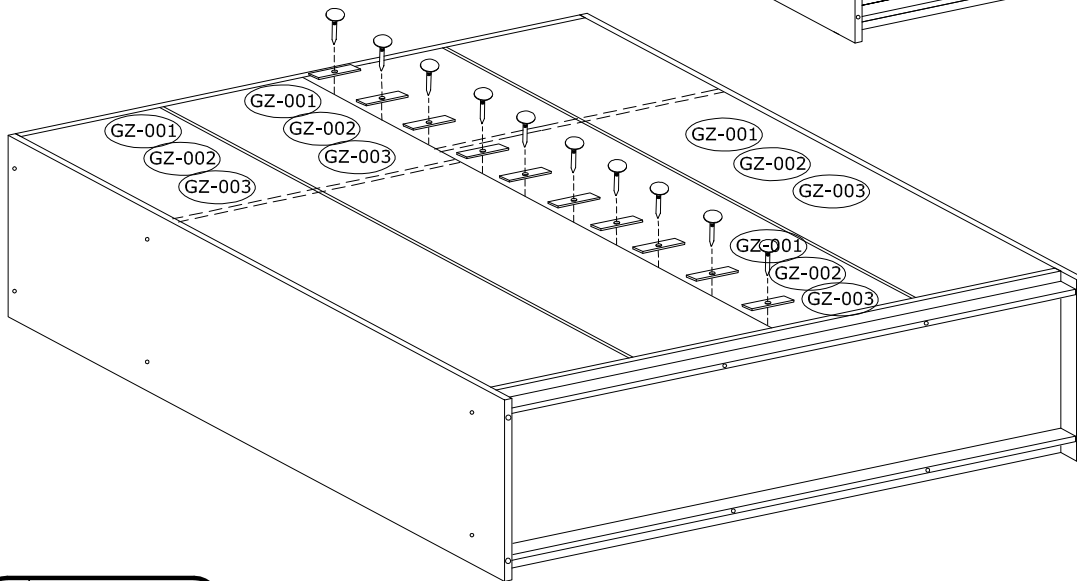
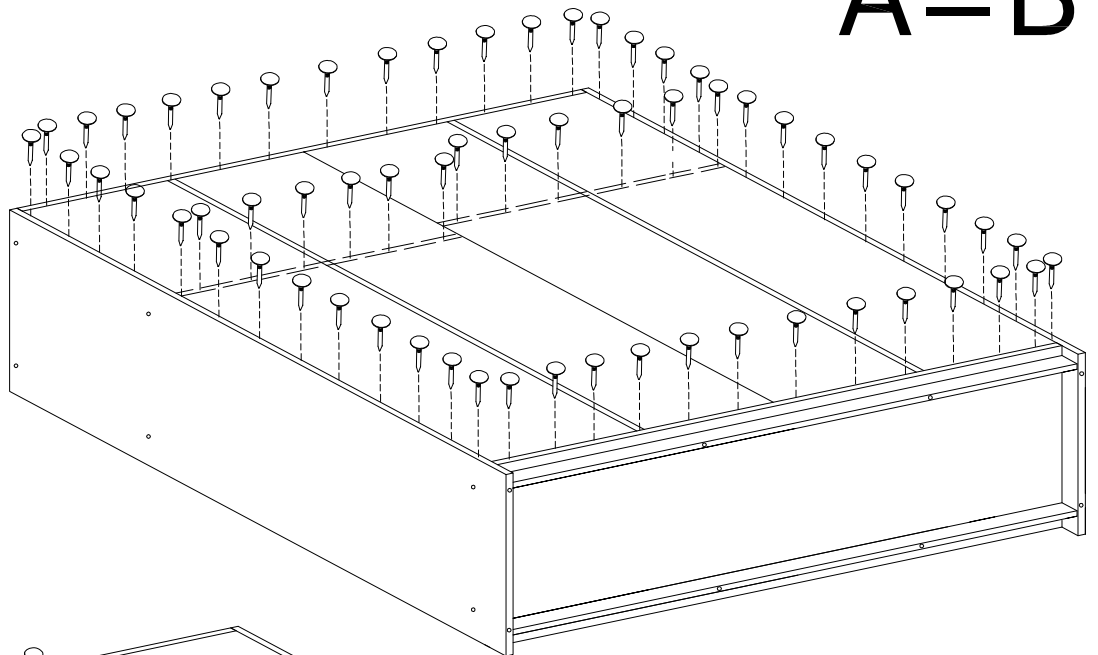
# 16.

3975  x80	IN00378  x2	77793  x10		
--	--	---	--	---





A=B





# 17.

82262-6



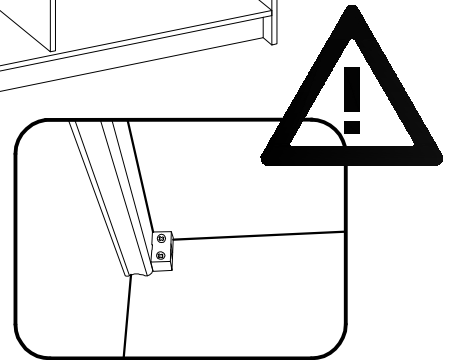
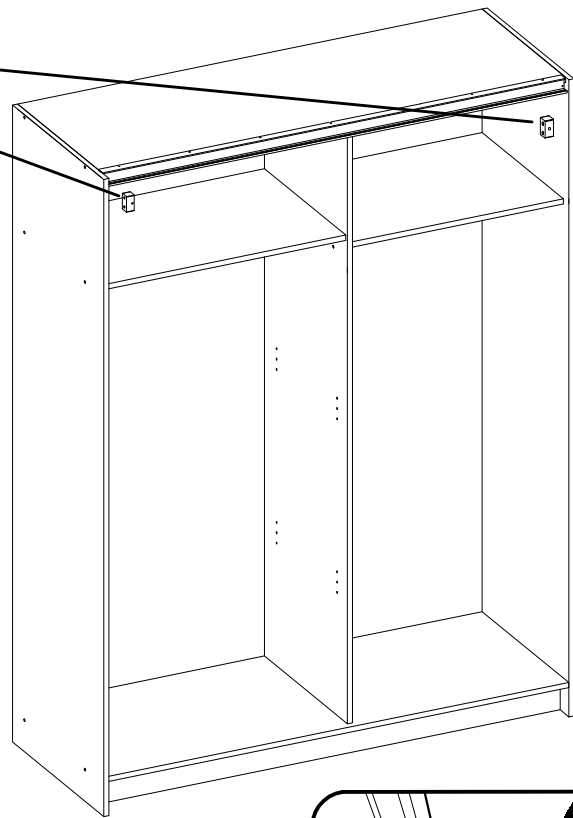
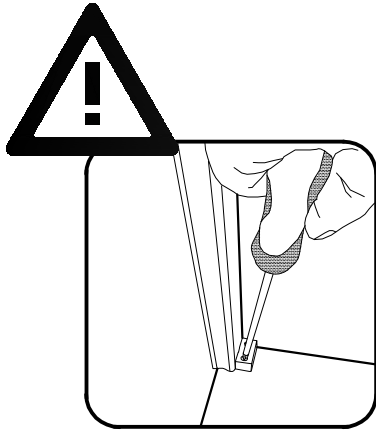
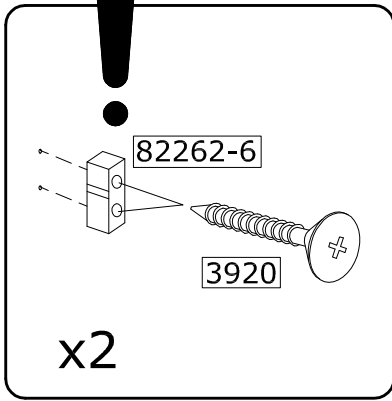
x2

3920



x4

PH2



# 18.

3918



x2

4069



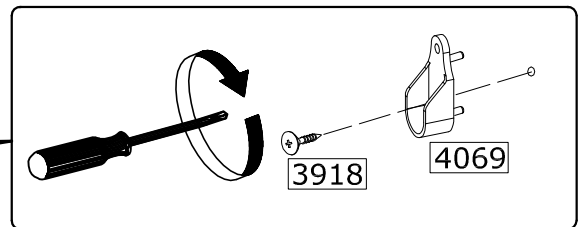
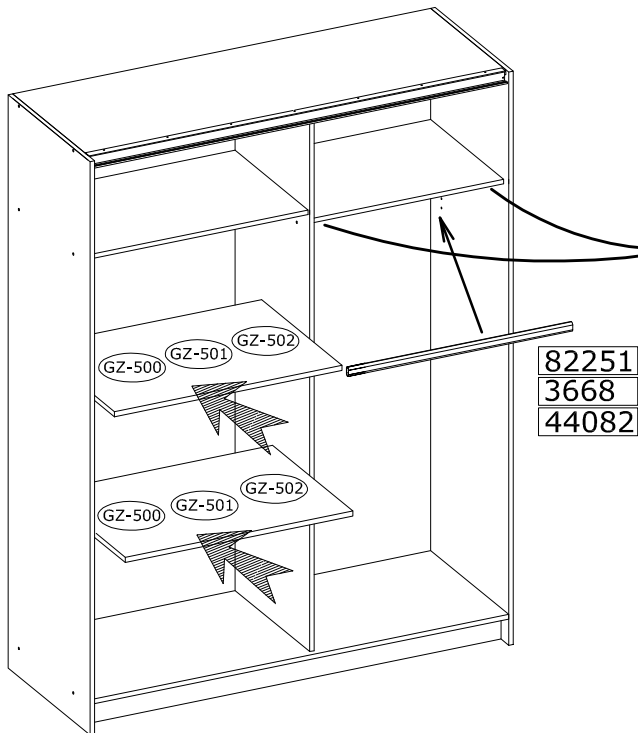
x2

82251  
3668  
44082

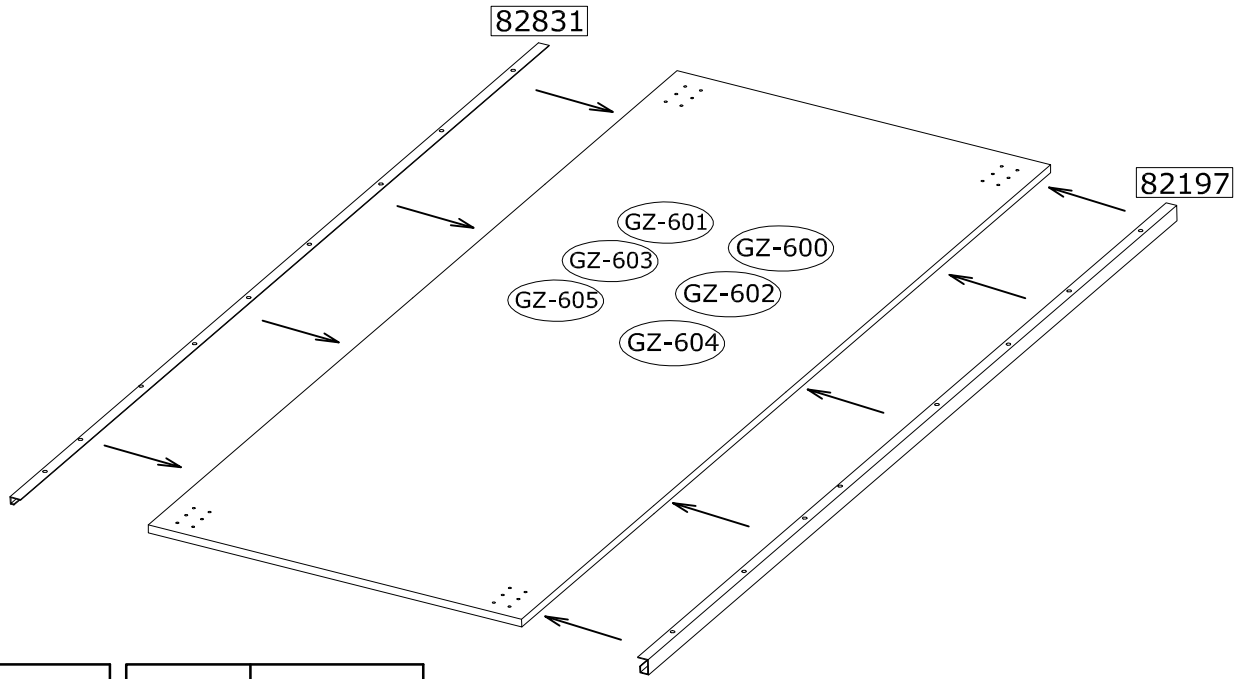
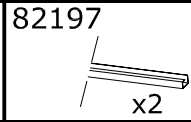
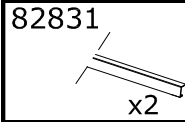


x1

PH1

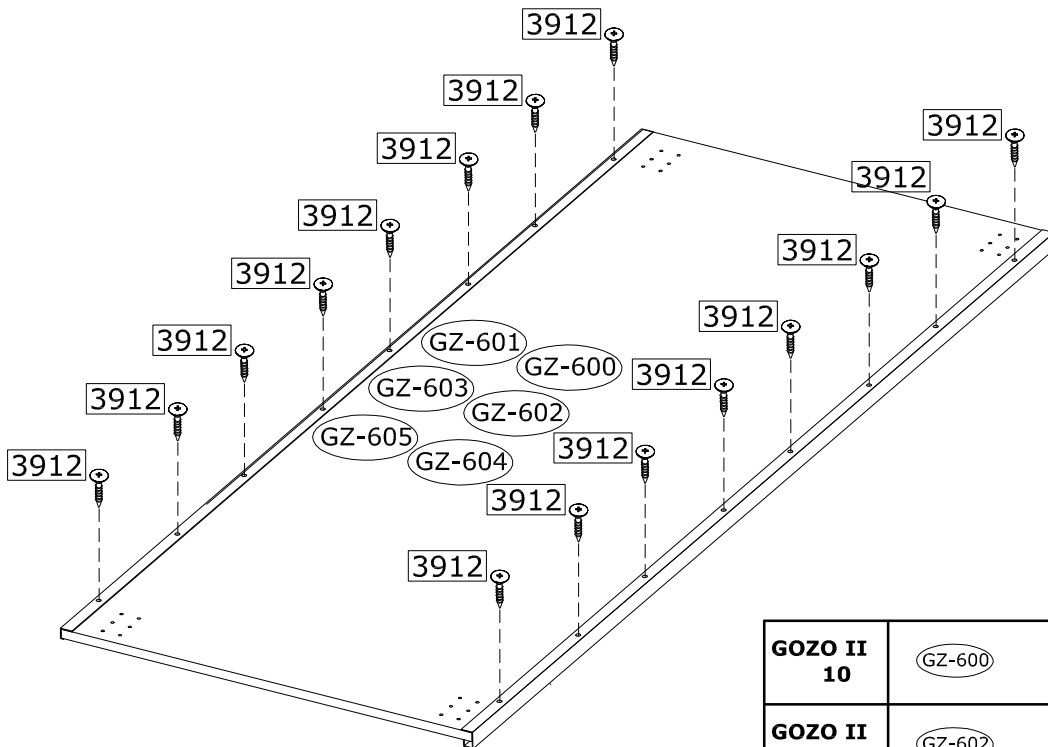
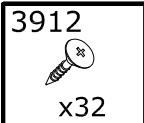


# 19.



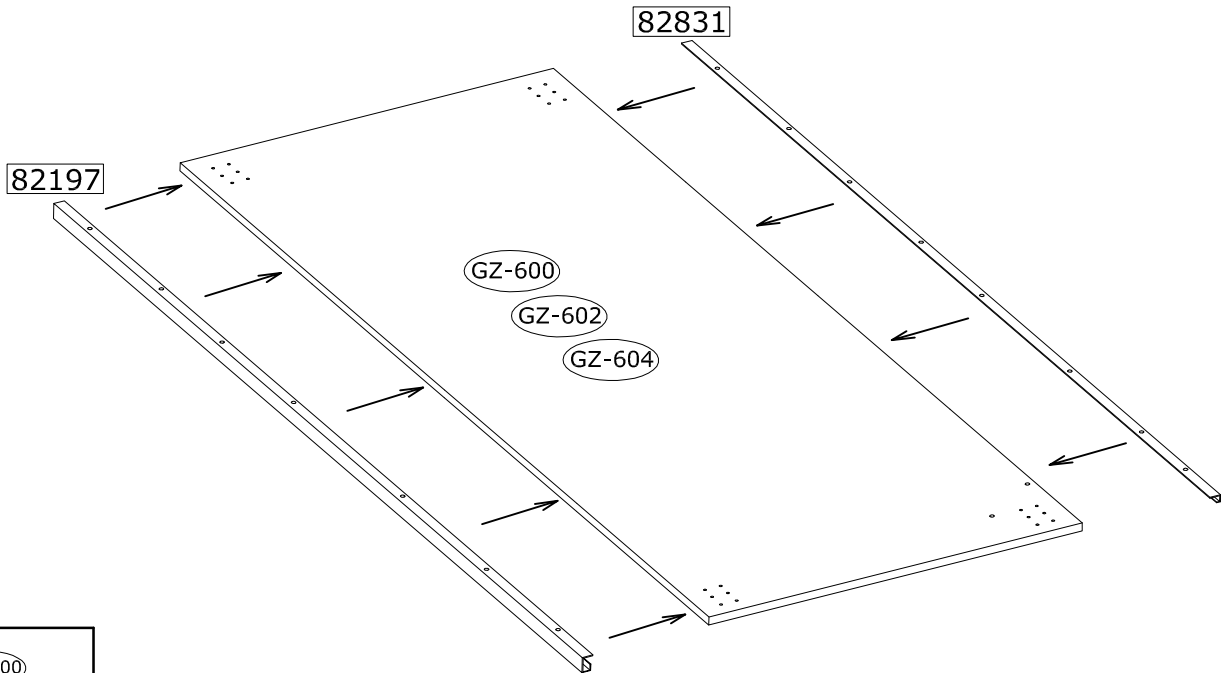
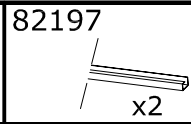
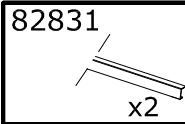
<b>GOZO II</b> 10	GZ-600	<b>GOZO III</b> 10	GZ-601
<b>GOZO II</b> 11	GZ-602	<b>GOZO III</b> 11	GZ-603
<b>GOZO II</b> 12	GZ-604	<b>GOZO III</b> 12	GZ-605

# 20.



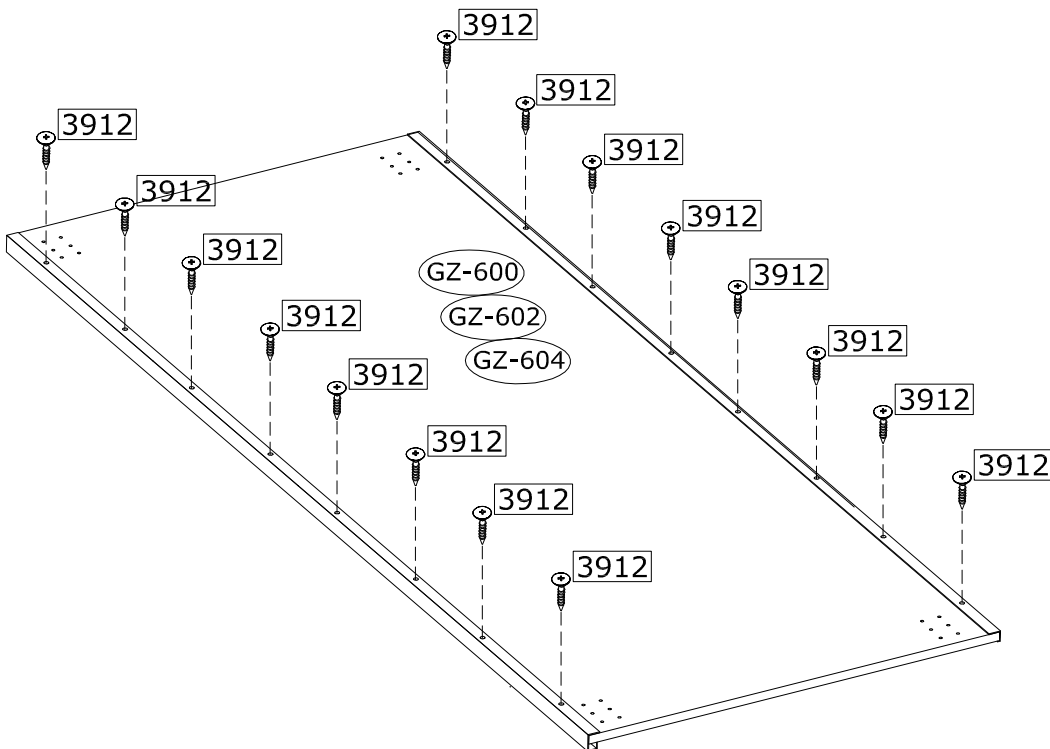
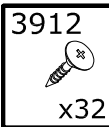
<b>GOZO II</b> 10	GZ-600	<b>GOZO III</b> 10	GZ-601
<b>GOZO II</b> 11	GZ-602	<b>GOZO III</b> 11	GZ-603
<b>GOZO II</b> 12	GZ-604	<b>GOZO III</b> 12	GZ-605

# 21.



<b>GOZO II</b> <b>10</b>	GZ-600
<b>GOZO II</b> <b>11</b>	GZ-602
<b>GOZO II</b> <b>12</b>	GZ-604

# 22.



<b>GOZO II</b> <b>10</b>	GZ-600
<b>GOZO II</b> <b>11</b>	GZ-602
<b>GOZO II</b> <b>12</b>	GZ-604

# 23.

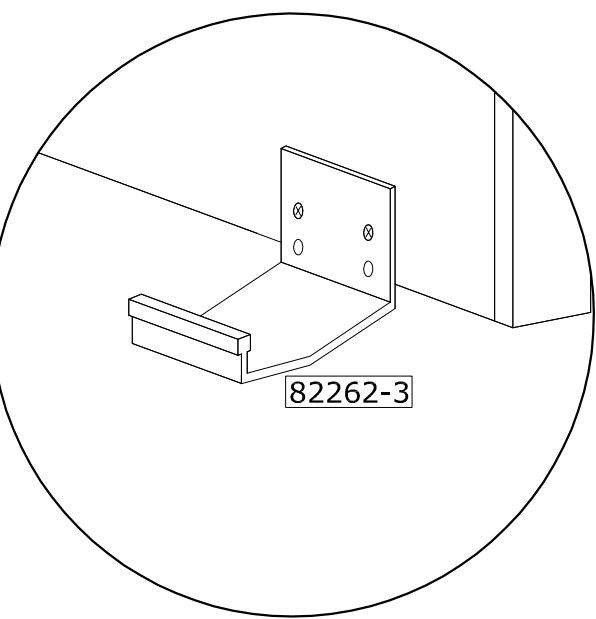
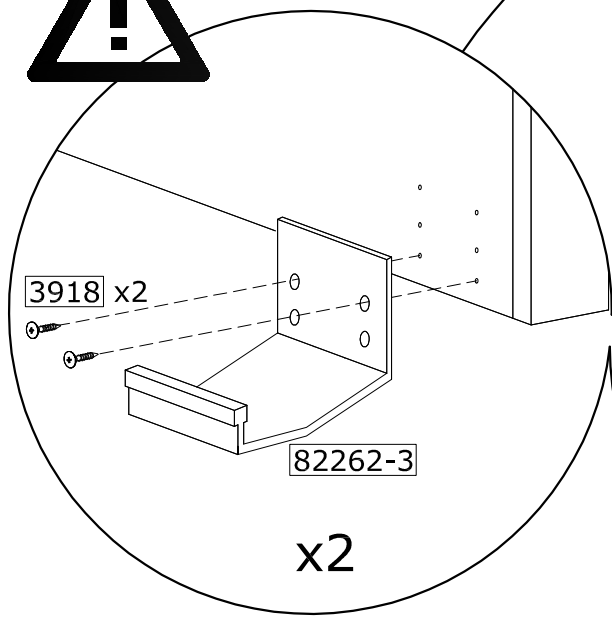
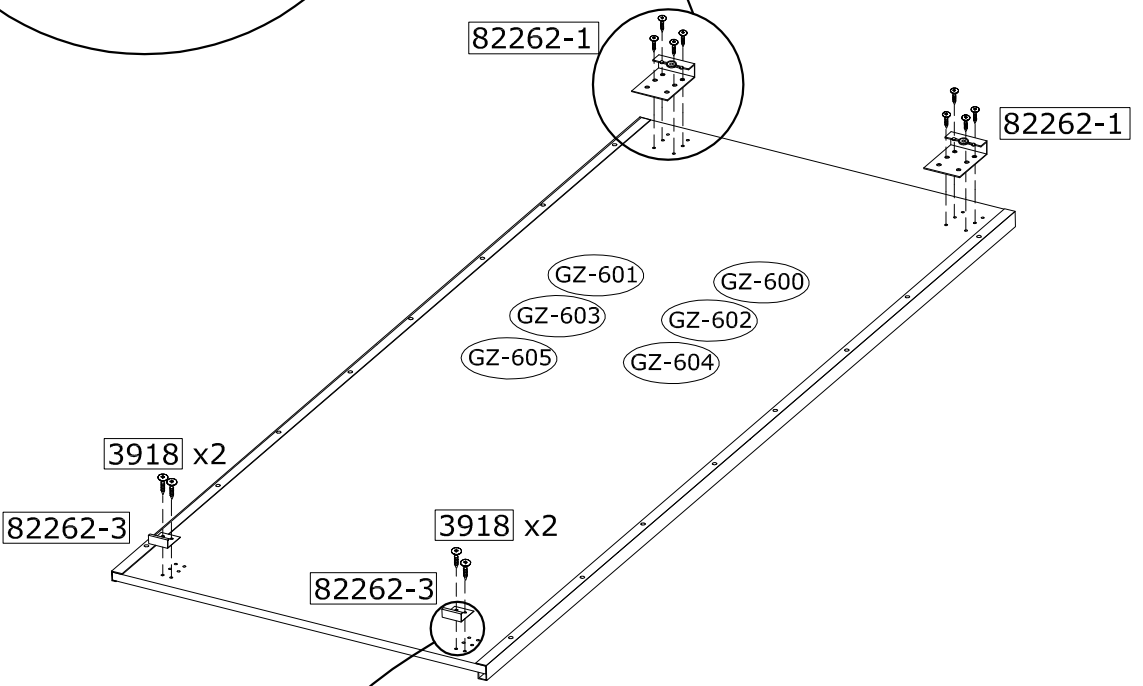
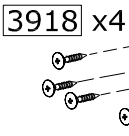
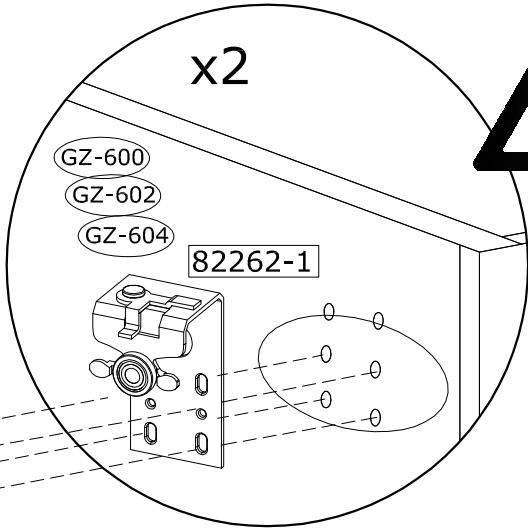
3918 x12

82262-1 x2

82262-3 x2

PH2

GOZO II 10	GZ-600	GOZO III 10	GZ-601
GOZO II 11	GZ-602	GOZO III 11	GZ-603
GOZO II 12	GZ-604	GOZO III 12	GZ-605



# 24.

3918  
x12

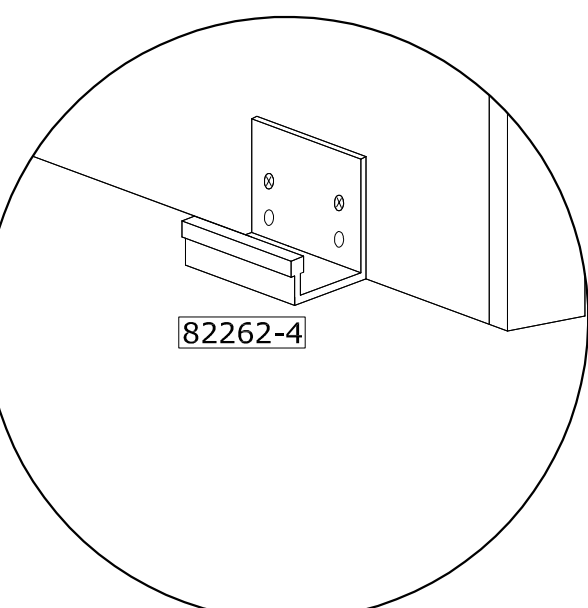
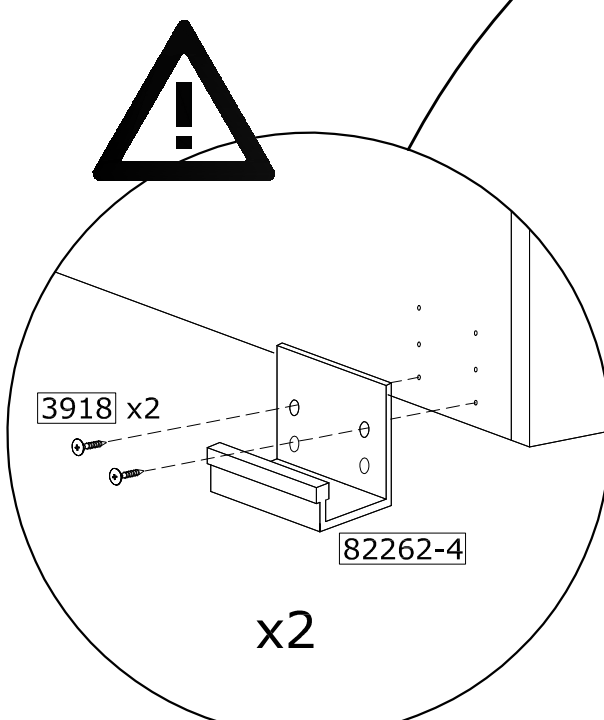
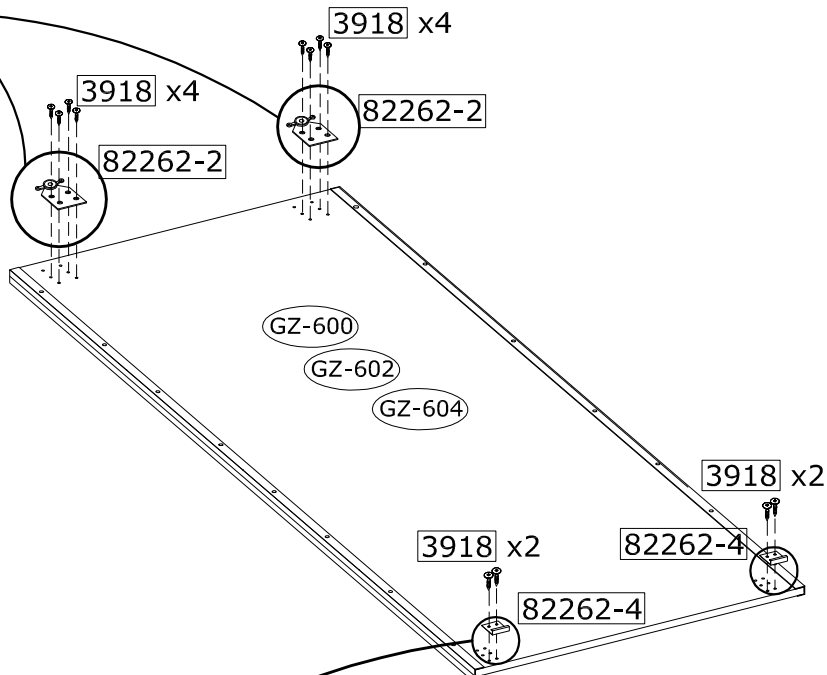
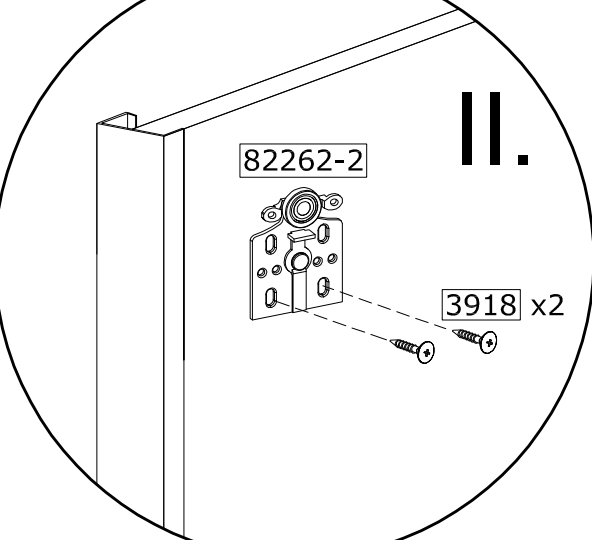
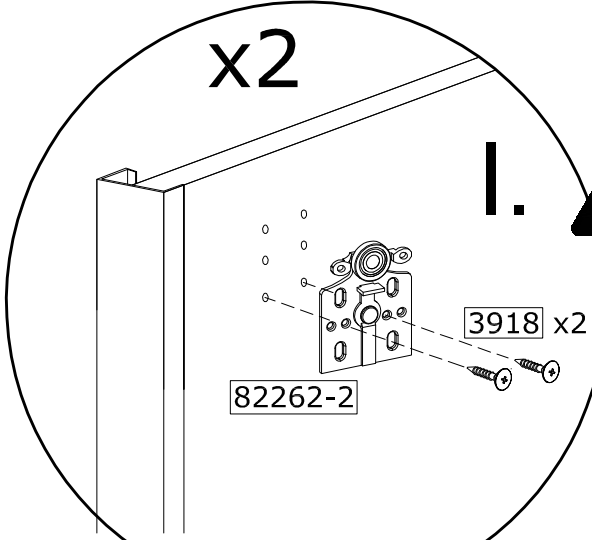
82262-2  
x2

82262-4  
x2

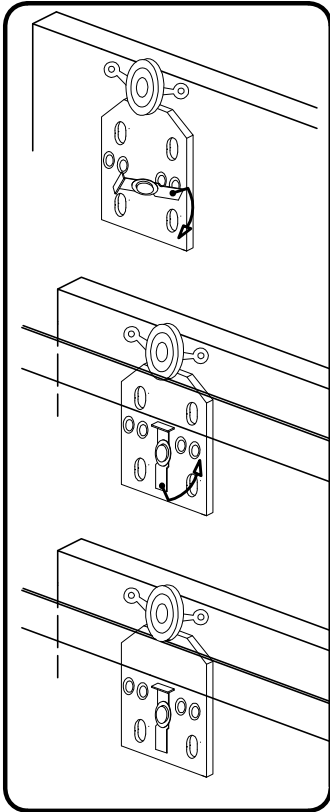


GOZO II 10	GZ-600
GOZO II 11	GZ-602
GOZO II 12	GZ-604

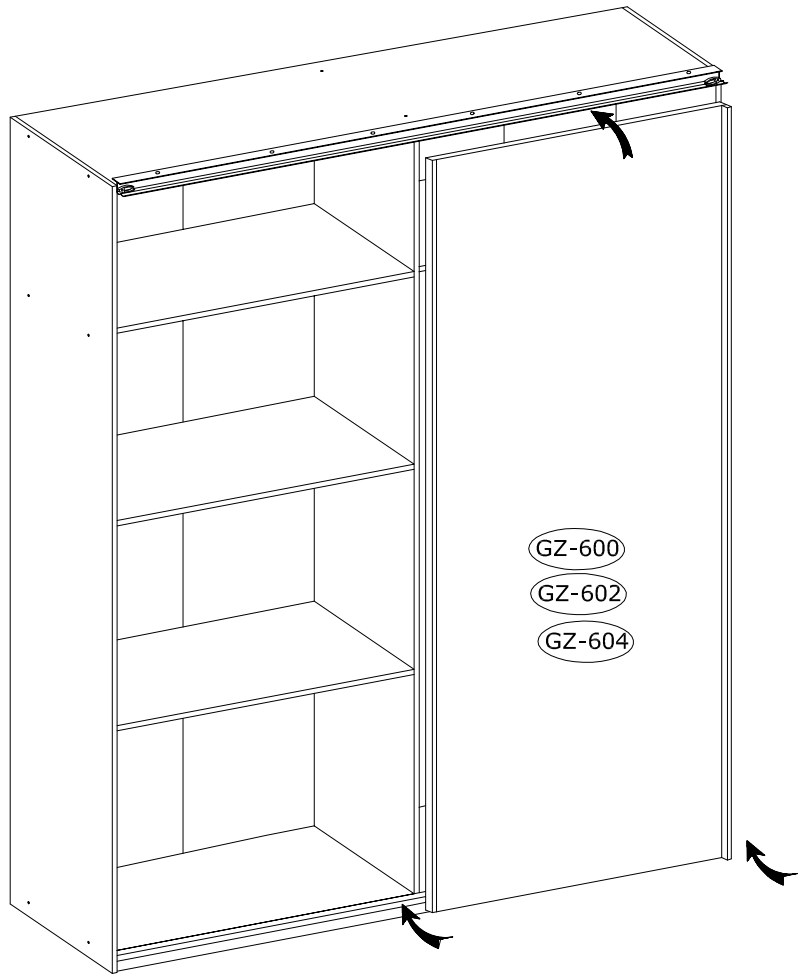
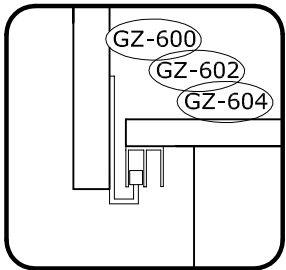
GOZO III 10	GZ-600
GOZO III 11	GZ-602
GOZO III 12	GZ-604



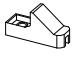

# 25.

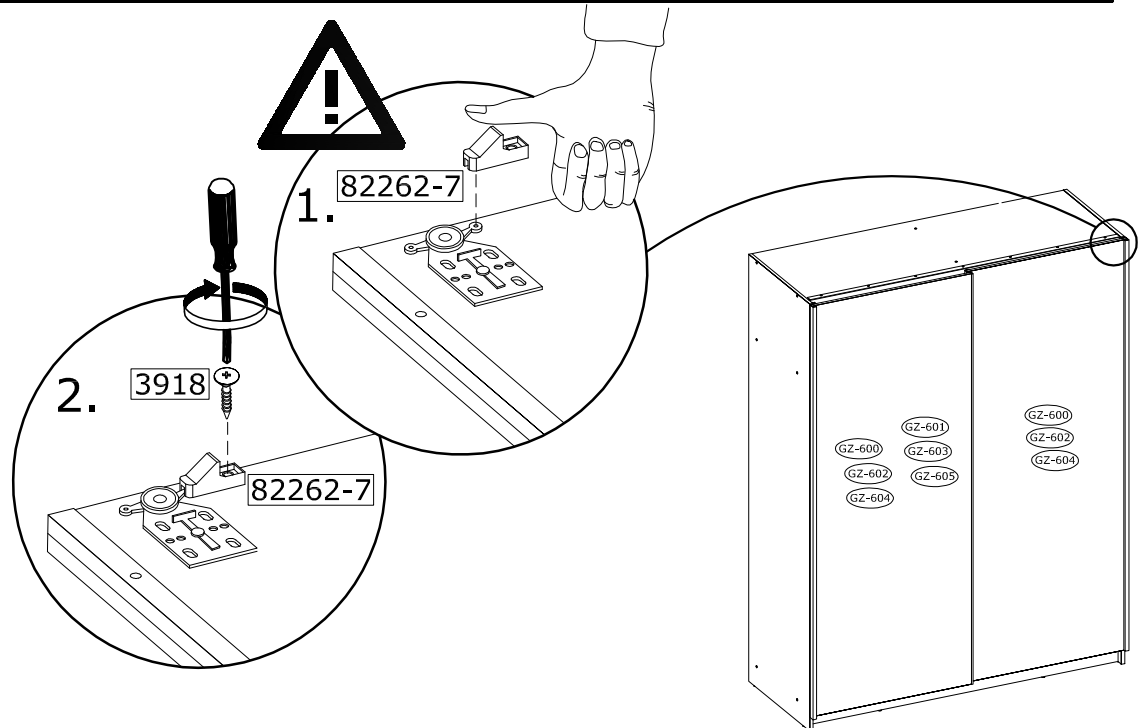


<b>GOZO III 10</b>	(GZ-600)
<b>GOZO III 11</b>	(GZ-602)
<b>GOZO III 12</b>	(GZ-604)

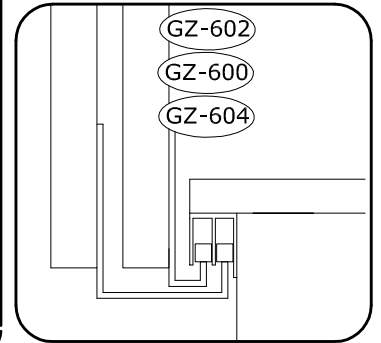
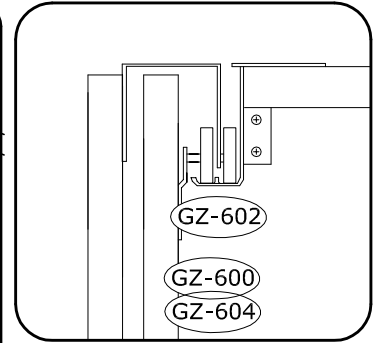
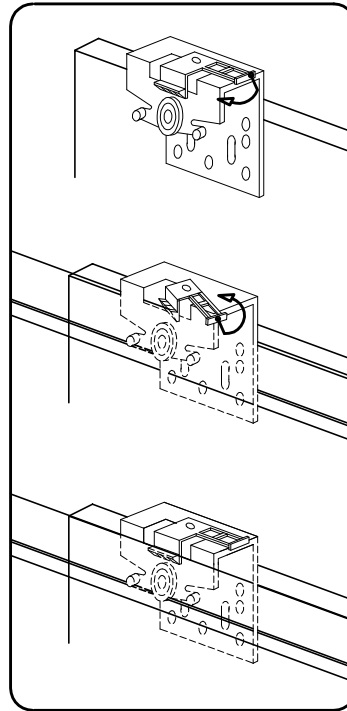
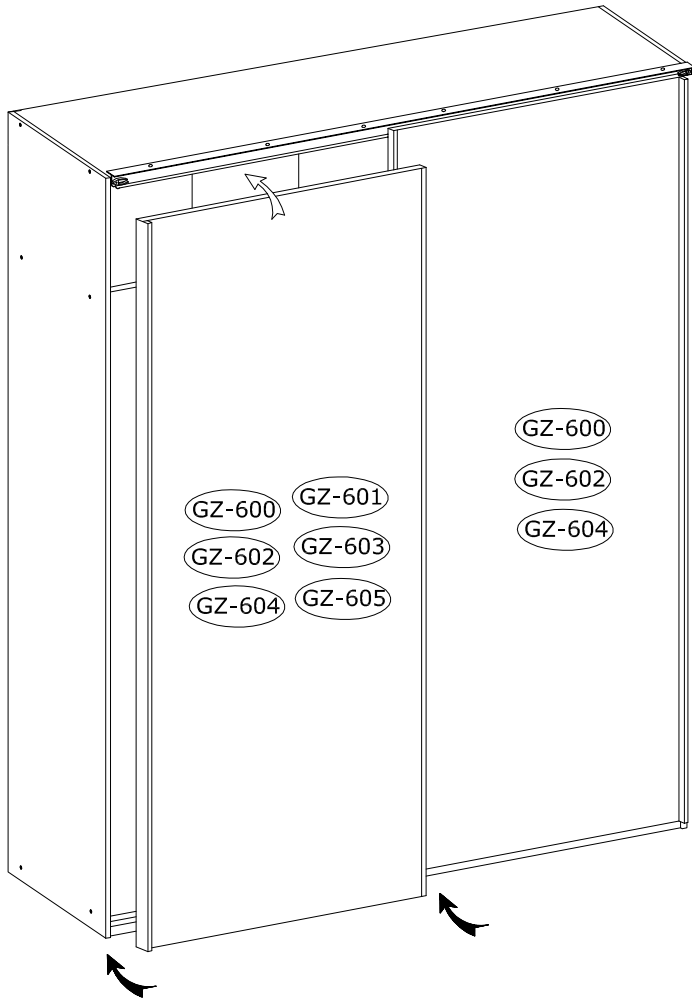


# 26.

82262-7	3918
 x1	 x1



# 27.



<b>GOZO II</b> 10	GZ-600 GZ-600	<b>GOZO III</b> 10	GZ-600 GZ-601
<b>GOZO II</b> 11	GZ-602 GZ-602	<b>GOZO III</b> 11	GZ-602 GZ-603
<b>GOZO II</b> 12	GZ-604 GZ-604	<b>GOZO III</b> 12	GZ-604 GZ-605

# 28.

